

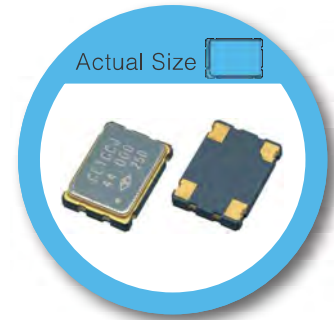
OC-M Type 7.0 x 5.0 mm SMD Crystal Oscillator

FEATURE

- Typical 7.0 x 5.0 x 1.3 mm ceramic SMD package.
- Output frequency up to 200 MHz
- Tri-state enable/disable

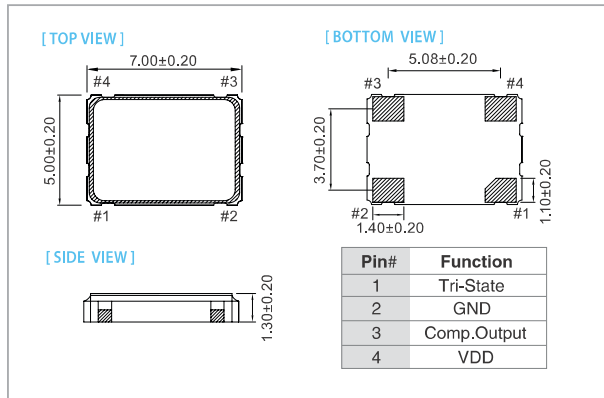
TYPICAL APPLICATION

- xDSL, WLAN, Fiber/10G-Bit Ethernet
- Notebook, PDA
- PC main board, VGA card

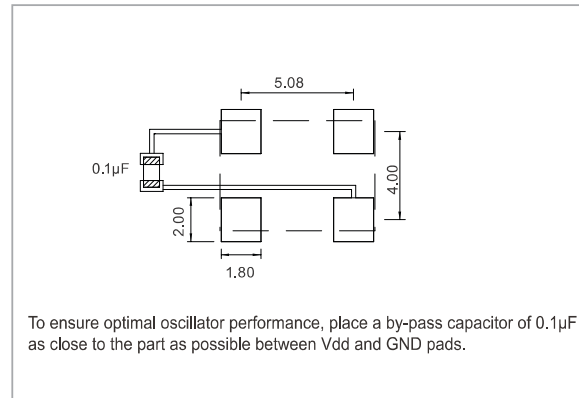


RoHS Compliant

DIMENSION (mm)



SOLDER PAD LAYOUT (mm)



ELECTRICAL SPECIFICATION

Parameter	3.3 V		2.5 V		1.8 V		unit
	Min.	Max.	Min.	Max.	Min.	Max.	
Supply Voltage Variation (V_{DD})	V _{DD} -10%	V _{DD} +10%	V _{DD} -10%	V _{DD} +10%	V _{DD} -10%	V _{DD} +10%	V
Frequency Range	2.048	200	2.048	166	2.048	110	MHz
V_{DD} Sensitivity (±10%)	-2	2	-2	2	-2	2	ppm
Supply Current	2.048 MHz ≤ F _o ≤ 110 MHz	—	20	—	15	—	mA
	110 MHz < F _o ≤ 166 MHz	—	25	—	20	—	
	166 MHz < F _o ≤ 200 MHz	—	30	—	—	—	
Duty Cycle	40	60	40	60	40	60	%
Output Level (CMOS)	Output High (Logic "1")	2.97	—	2.25	—	1.62	V
	Output Low (Logic "0")	—	0.33	—	0.25	—	
Transition Time: Rise/Fall Time⁺	2.048 MHz ≤ F _o ≤ 200 MHz						nSec
	—	5	—	5	—	5	
Start Time	—	5	—	5	—	5	mSec
Tri-State (Input to Pin 1)	Enable (High voltage or floating)	2.31	—	1.75	—	1.26	V
	Disable (Low voltage or GND)	—	0.99	—	0.75	—	
Period Jitter (Pk-Pk)	Specific Frequency"	—	40	—	40	—	pSec
	Others	—	200	—	200	—	
Standby Current	—	15	—	15	—	15	µA
Aging (@ 25°C 1st year)	—	±3	—	±3	—	±3	ppm
Storage Temp. Range	-55	125	-55	125	-55	125	°C

Standard frequencies are frequencies which the crystal has been designed and does not imply a stock position.

⁺ Transition times are measured between 10% and 90% of V_{DD}, with an output load of 15pF.

^{''} Specific frequencies include 4.0, 6.0, 8.0, 12.0, 13.0, 16.0, 19.2, 20.0, 24.0, 26.0, 32.0, 38.4 and 40.0MHz

FREQ. STABILITY vs. TEMP. RANGE

Temp. (°C)	ppm		
	±20	±25	±50
-10 ~ +60	○	○	○
-20 ~ +70	△	○	○
-40 ~ +85	△	○	○

* ○: Available △: Conditional X: Not available

* Inclusive of calibration @ 25 °C, operating temperature range, input voltage variation, load variation, aging (1st year), shock, and vibration

Note: not all combination of options are available. Other specifications may be available upon request.