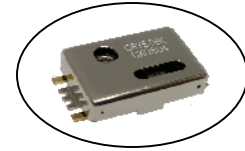


Temperature Compensated Crystal Oscillator

Voltage Trim Option Available

CXOSD4 / CXOSVD4 Model 12.2×18.6 SMD, 3.3V & 5.0V, Clipped Sine

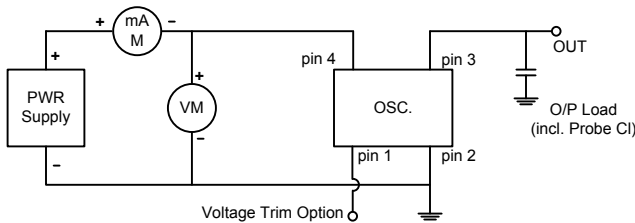
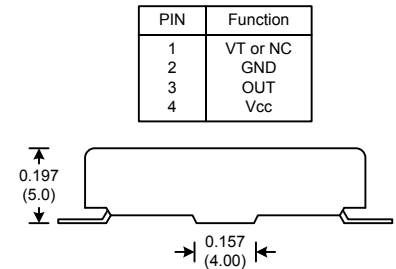
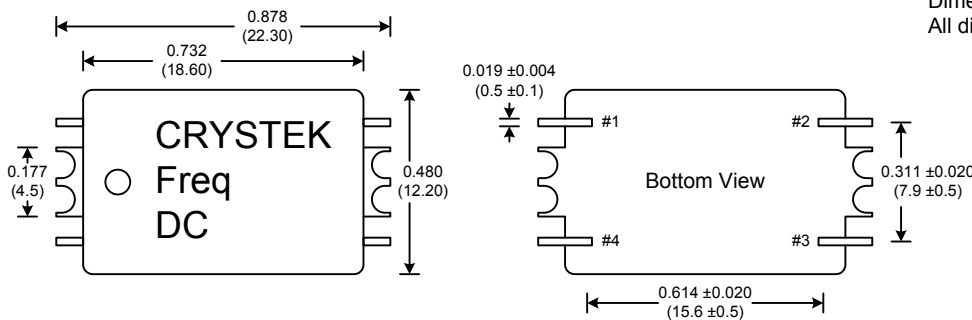
Frequency Range:	8 MHz to 30 MHz 3.3V limited to 25.6 MHz
Frequency Stability:	±1ppm to ±5ppm
Frequency Stability vs Vcc:	±0.5ppm Max
Frequency Stability vs Load:	±0.3ppm Max
Temperature Range:	-40°C to 85°C
Storage:	-45°C to 90°C
Input Voltage:	3.3V or 5V ±5%
Mechanical Trim Range:	±3ppm Min
(Option V)	Voltage Trim Pin 1
Input Current:	2mA Typical, 5mA Max
Output:	Clipped Sinewave
Output Voltage:	5V = 1.0Vpp Min 3.3V = 0.8Vpp Min
Load:	20 kΩ / 5pF Max
Phase Noise Typical:	
10Hz	-100 dBc/Hz
100Hz	-130 dBc/Hz
1kHz	-140 dBc/Hz
10kHz	-145 dBc/Hz
100kHz	-150 dBc/Hz
Aging:	<1ppm Max per year



Designed to meet today's requirements for tighter frequency stability while reducing unit cost.

VCTCXO Specification

Voltage Trim Pin 1:	±5ppm Min
Control Voltage:	(5V) 2.5V ±2.5V (3.3V) 1.65V ±1.65V



Crystek Part Number Guide

CXOSVD4 - B C 3 - 25.000

- #1 Crystek TCXO 4 Pin SMD Clipped Sinewave
- #2 V or blank = (V = Volt.Trim) (Blank = Mech. Trim)
- #3 Letter = Operating Temperature (see table 1)
- #4 Letter = Frequency Stability (see table 1)
- #5 3 or blank = Input Volt (3 = 3.3 volts) (Blank= 5V)
- #6 Frequency in MHz: 3 or 6 decimal places

Example:
CXOSD4-BC3-25.000 = mech. trim, -10/60, ±2.5ppm, 3.3V, 25.000 MHz
CXOSVD4-BC3-25.000 = volt. trim, -10/60, ±2.5ppm, 3.3V, 25.000 MHz

	Operating Temperature	Freq. Stability (± ppm)						
		1.0	1.5	2.0	2.5	3.0	4.0	5.0
A	0°C to 50°C							
B	-10°C to 60°C							
C	-10°C to 70°C							
D	-20°C to 70°C							
E	-30°C to 60°C							
F	-30°C to 70°C							
G	-30°C to 75°C							
H	-40°C to 85°C							
		P	A	B	C	D	E	F

Table 1

Specifications subject to change without notice.

TD-020816 Rev. G