

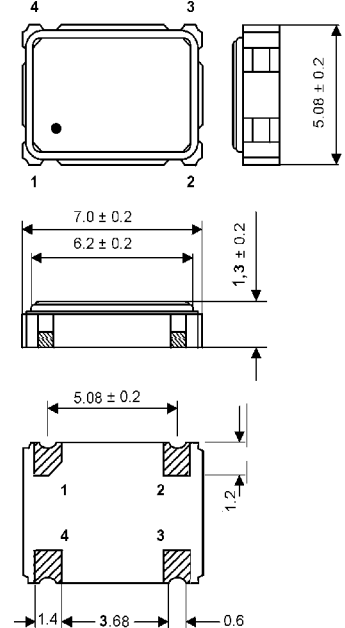


Clock Oscillator SMD-version

+1.8 / +2.5 / +3.0 / +3.3V

part no.	12.xxxxx						
model	KXO-V97						
frequency range	1.0 ~ 50.0 MHz	50.1 ~ 80.0 MHz	80.1 ~ 160.0 MHz				
frequency stability at -20° ~ + 70°C	± 50 ppm						
at -40° ~ + 85°C	± 100 ppm						
at -40° ~ +105°C	± 120 ppm						
operating temperature	standard	-20° ~ + 70°C					
	available	-40° ~ + 85°C (=KXO-V97T)					
	available	-40° ~ +105°C (=KXO-V97E)					
storage temperature	-40° ~ +85°C						
symmetry	50% ± 10% at ½ V _{DD} level						
rise & fall time	5 ns max.						
"0" level max.	+ 0.4V						
"1" level min.	V _{DD} -0.5V						
input voltage V _{DD}	standard + 3.3V ± 10%						
	available +1.8V ± 5%/ +2.5V ± 5%/ +3.0V ± 10%						
input current		+1.8V	+2.5V	+3.0V/+3.3V	+1.8V/+2.5V	+3.0V/+3.3V	
	1.0 ~ 20.0 MHz	3.5 mA typ., 6.0 mA max.	4.0 mA typ., 11.0 mA max.	4.0 mA typ., 6.0 mA max.	6.0 mA typ., 11.0 mA max.	9.0 mA typ., 66.0 mA max.	30.0 mA typ., 4.0 mA max.
	20.1 ~ 50.0 MHz	4.5 mA typ., 6.0 mA max.	6.0 mA typ., 11.0 mA max.	6.0 mA typ., 11.0 mA max.			
output load	1.0 ~ 33.0 MHz 30 pF			33.1 ~ 75.0 MHz 30 pF			75.1 ~ 160.0 MHz 15 pF
start up time	10 ms max.		10 ms max.		4 ms max.		
tristate function	yes						
disable delay time	50 µs max.						
enable delay time	4 ms max.						
phase jitter	(12 kHz – 20 MHz) with 1 ps						
random jitter	7ps max.						
peak to peak jitter	40ps max.						
contents of reel	1000 pcs.						

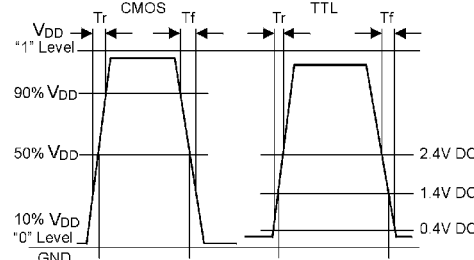
Dimensions (mm):



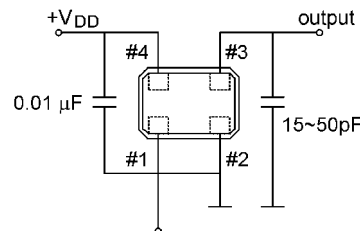
PIN	CONNECTION
1	"L" (OV) "H" or OPEN
2	GND
3	OUTPUT
4	V _{DD}

Z: high impedance

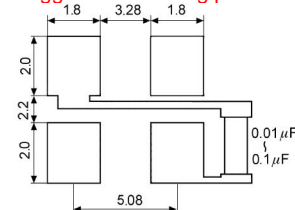
Output waveform:



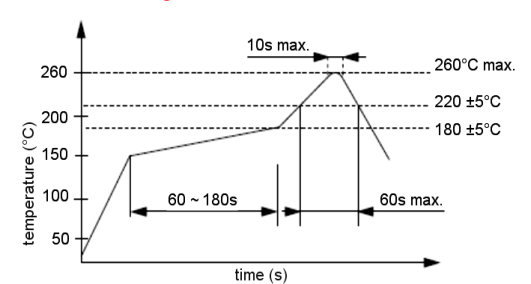
Test circuit:



Suggested soldering pad:



Reflow soldering condition:



Tape specification:

