



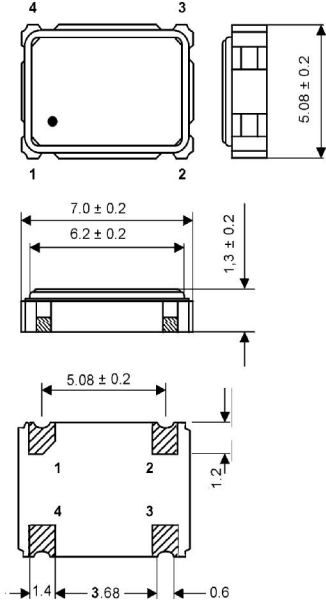
# Clock Oscillator

SMD-version

5V

part no.	12.xxxxx		
model	KXO-97		
frequency range	1,0 ~ 50,0 MHz	50,1 ~ 80,0 MHz	80,1 ~ 100,0 MHz
frequency stability at -20° ~ + 70°C at -40° ~ + 85°C at -40° ~ +105°C	± 50 ppm ± 100 ppm ± 120 ppm		
operating temperature	standard -20° ~ + 70°C available -40° ~ + 85°C (=KXO-97T) available -40° ~ +105°C (=KXO-97E)		
storage temperature	-40° ~ +85°C		
symmetry	50% ± 10% at 1,4V DC level or ½ V <sub>DD</sub> level		
rise & fall time	5 ns max.		
"0" level max.	TTL: + 0,4V / HCMOS: + 0,5V		
"1" level min.	TTL: + 2,4V / HCMOS: V <sub>DD</sub> -0,5V		
input voltage V <sub>DD</sub>	+ 5V DC ± 10%		
Input current	1,0 ~ 9,9 MHz 10 mA max. 10,0 ~ 19,9 MHz 15 mA max. 20,0 ~ 29,9 MHz 25 mA max. 30,0 ~ 50,0 MHz 35 mA max.	40 mA typ., 50 mA max.	60 mA typ., 80 mA max.
output load	1,0 ~ 33,0 MHz 10 TTL gates 50 pF 33,1 ~ 75,0 MHz 5 TTL gates 30 pF 75,1 ~ 100,0 MHz 5 TTL gates 15 pF		
start up time	10 ms max.		
tristate function	yes		
disable delay time	50 µs max.		
enable delay time	4 ms max.		
phase jitter	(12 kHz – 20 MHz) with 1 ps		
random jitter	7ps max.		
peak to peak jitter	40ps max.		
contents of reel	1000 pcs.		

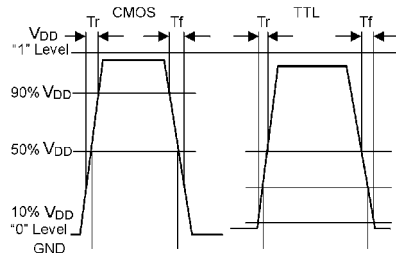
### Dimensions (mm):



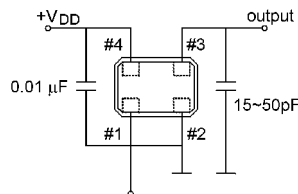
PIN	CONNECTION
1	"L" (OV) "H" or OPEN
2	GND
3	OUTPUT
4	V <sub>DD</sub>

Z: high impedance

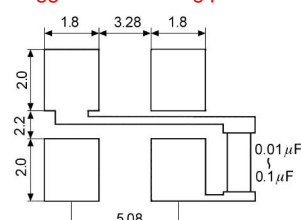
### Waveform:



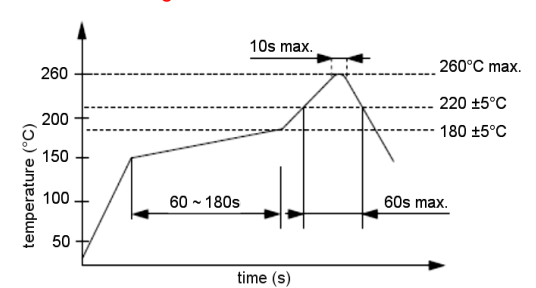
### Test circuit:



### Suggested soldering pad:



### Reflow soldering condition:



### Tape specifications:

