

| PAD | CONNECTION |
|-----|----------------|
| 1 | Enable/Disable |
| 2 | Ground |
| 3 | Output |
| 4 | Supply |

Features

- ▶ Low & medium volumes also available
- ▶ Enable / disable tristate function
- ▶ Miniature ceramic package with metal lid

Enable / Disable Function

| Input (pad 1) | Output (pad 3) |
|---------------|----------------|
| Open | Enabled |
| '1' level | Enabled |
| '0' level | High Impedance |

Note: '0' level = $V_{IL} \leq 30\%V_{DD}$, '1' level = $V_{IH} \geq 70\%V_{DD}$

Specifications

- GXO-U120G: 1.8V supply**
- GXO-U120J: 2.5V supply**
- GXO-U120L: 3.3V supply**

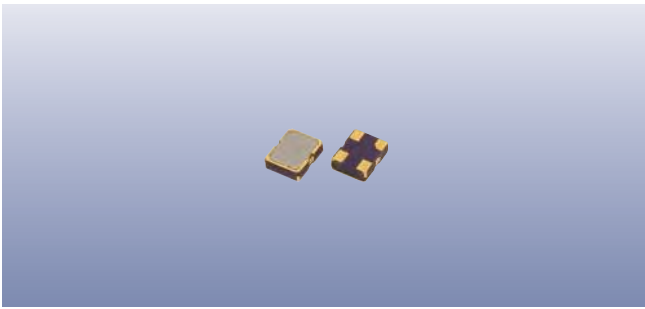
| Parameters | Variant | | | Option Codes |
|--|--------------|----------------|----------------|--------------|
| | G | J | L | |
| Frequency range: 1.80 ~ 133MHz 1.80 ~ 170MHz | ■ | ■ | ■ | |
| Frequency stability*: ±100ppm ±50ppm ±25ppm | ■ □ □ | ■ □ □ | ■ □ □ | B A |
| Operating temperature range: -10 to +70°C -40 to +85°C | ■ □ | ■ □ | ■ □ | I |
| Storage temperature range: -55 to +125°C | ■ | ■ | ■ | |
| Supply voltage (V_{DD}): +1.8V (±5%) +2.5V (±5%) +3.3V (±10%) | ■ | ■ | ■ | |
| Supply current (mA max): 1.8 ~ 50.0MHz 50.0 ~ 133MHz 133 ~ 170MHz | 7 20 - | 12 30 30 | 20 40 40 | |
| Logic levels: '0' level = 20% V_{DD} max '1' level = 80% V_{DD} min '0' level = 10% V_{DD} max '1' level = 90% V_{DD} min | ■ ■ | ■ ■ | ■ ■ | |
| Start up time: 5ms max | ■ | ■ | ■ | |
| Waveform symmetry: 40:60 max @ 50% V_{DD} 45:55 max @ 50% V_{DD} | ■ | ■ | ■ | |
| Driving ability: 15pF CMOS | ■ | ■ | ■ | |
| Rise / fall time: 5ns max (20~80% V_{DD}) 6ns max (10~90% V_{DD}) | ■ | ■ | ■ | |
| Enable / disable function: Tristate (control via pad 1) | ■ | ■ | ■ | |
| Stand-by current: 10µA max | ■ | ■ | ■ | |

■ Standard. □ Optional - Please specify required code(s) when ordering

* Frequency stability is inclusive of calibration @ 25°C, operating temperature range, supply voltage change, load change, shock and vibration.


Ordering Information

Product name + variant + option codes (if any) + frequency
 eg: **GXO-U120L/A 40.0MHz** 3.3V, 25ppm, -10+70°C
GXO-U120G/BI 24.5760MHz 1.8V, ±50ppm, -40+85°C
 Option code X (eg GXO-U120L/X) denotes a custom spec.



Packaging & Handling

Production quantities supplied on T&R, 3k pcs per reel.
Small quantities may be supplied on tape (no reel), or in bulk.

 Static sensitive product. Observe proper handling precautions

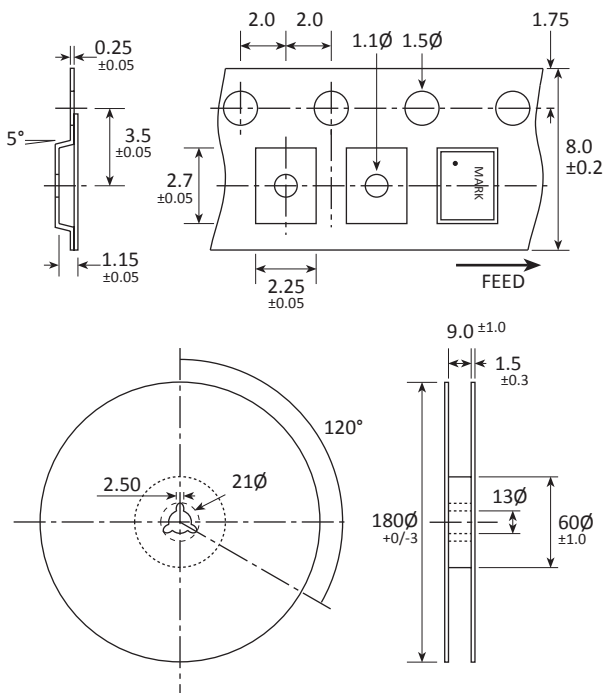
Marking

FREQUENCY
DC

Marking type: Laser
DC = Date code in YM, eg "FB" = Feb 2016

| | | | | | | | | | | | | |
|---|-----|-----|-----|-----|-----|-----|-----|-----|-----|-----|-----|-----|
| | A | B | C | D | E | F | G | H | J | K | L | M |
| Y | 1 | 2 | 3 | 4 | 5 | 6 | 7 | 8 | 9 | 0 | | |
| M | Jan | Feb | Mar | Apr | May | Jun | Jul | Aug | Sep | Oct | Nov | Dec |

Tape & Reel Specification



Not to scale. Dimensions in mm. Tolerances ±0.1mm unless otherwise stated.

Construction

- ▣ Ceramic body with gold-plated pads
- ▣ Metal lid, seam sealed

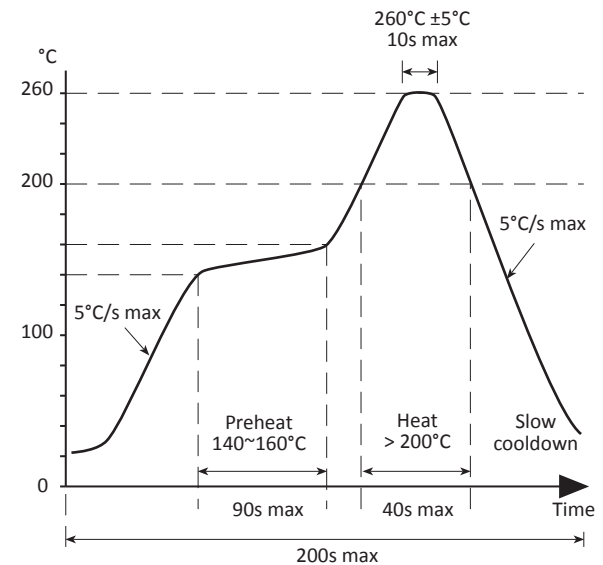
Composition



This product is lead-free, and is fully compliant with current RoHS directives



Soldering Profile



Solder resistance: 260°C x 10 secs x 2.