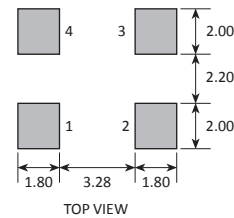


PAD	CONNECTION
1	Enable/Disable
2	Ground
3	Output
4	Supply



Features

- ▶ Ceramic package with metal lid
- ▶ High drive capability - up to 50pF
- ▶ Enable / disable tristate function
- ▶ Power saving function (P & L variants)

Enable / Disable Function

Input (pad 1)	Output (pad 3)
Open	Enabled
'1' level	Enabled
'0' level	High Impedance

Specifications

GXO-U108P: 5.0V supply, E/D with power saving

GXO-U108H: 5.0V supply, E/D high drive

GXO-U108L: 3.3V supply, E/D with power saving

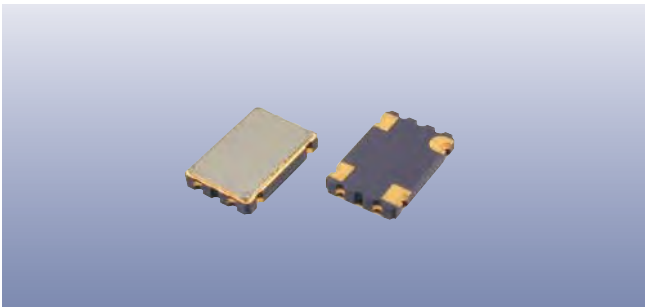
Parameters	Variant			Option Codes
	P	H	L	
Frequency range: 1.8 ~ 80.0MHz 12.0kHz ~ 170MHz	■	■	■	
Frequency stability*: ±100ppm ±50ppm ±25ppm ±20ppm	■ □ □ □	■ □ □ □	■ □ □ □	B A D
Operating temperature range: -10 to +70°C -40 to +85°C	■ □	■ □	■ □	I
Storage temperature range: -55 to +125°C	■	■	■	
Supply voltage (V_{DD}): +5.0V (±0.5V) +3.3V (±0.3V)	■	■	■	
Supply current (mA max): <= 32.0MHz >32.0 ~ 50.0MHz >50.0 ~ 67.0MHz >67.0 ~ 80.0MHz >80.0 ~ 125MHz >125 ~ 170MHz	18 50 50 80 80 90	27 45 75 75 80	12 17 18 40 40 50	
Logic levels: '0' level = 10%V _{DD} max '1' level = 90%V _{DD} min	■ ■	■ ■	■ ■	
Start up time: 5ms max (<32MHz) 10ms max (>32MHz)	■ ■	■ ■	■ ■	
Waveform symmetry: 45:55 max 45:55 max (<=50.0MHz) 40:60 max (>50.0MHz) 40:60 max	■	■	■ ■	
Driving ability: 10 LSTTL 15pF HCMOS 10 TTL 50pF HCMOS	■ ■ ■	■ ■	■ ■	
Rise / fall time: 7ns max (<80MHz) 4ns max (80.0 ~ 125MHz) 3ns max (125 ~ 170MHz)	■ ■ ■	■ ■ ■	■ ■ ■	
Enable / disable function: Tristate (control via pad 1) 100ns / 100ns 10ms / 100ns	■ ■	■ ■	■ ■	
Stand-by current: 10µA	■	■	■	

■ Standard. □ Optional - Please specify required code(s) when ordering



* Frequency stability is inclusive of calibration @ 25°C, operating temperature range, supply voltage change, load change, ageing, shock and vibration.

Ordering Information

Product name + variant + option codes (if any) + frequency
eg: **GXO-U108H/B 40.0MHz** 5V, ±50ppm, -10+70°C



Construction

-  Ceramic body with gold-plated pads
-  Metal lid, seam sealed

Composition



This product is lead-free, and is fully compliant with the current RoHS directives



LeadFree

Packaging & Handling

Production quantities supplied on T&R, 2k pcs per reel.
Small quantities may be supplied on tape (no reel), or in bulk.



Static sensitive product. Observe proper handling precautions

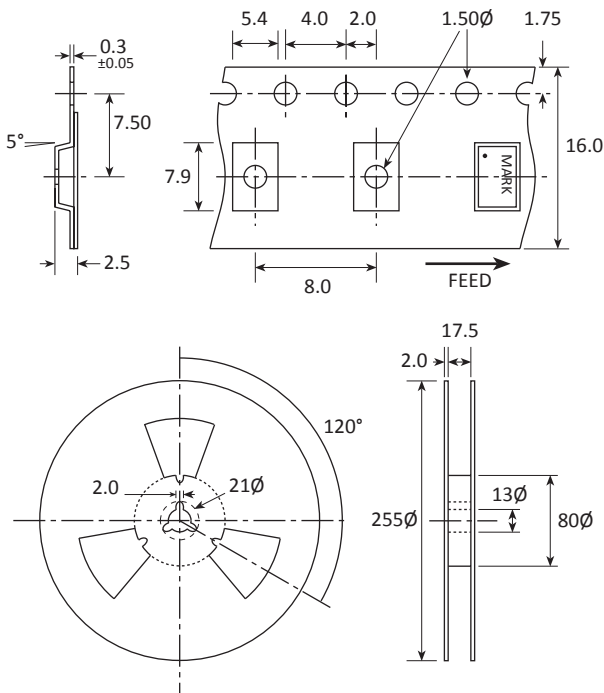
Marking

FREQUENCY DC
• PARTNO

• Pin 1
Marking type: Laser
DC = Date code in YM, eg "EC" = Mar 2015

	A	B	C	D	E	F	G	H	J	K	L	M
Y	1	2	3	4	5	6	7	8	9	0		
M	Jan	Feb	Mar	Apr	May	Jun	Jul	Aug	Sep	Oct	Nov	Dec

Tape & Reel Specification



Not to scale. Dimensions in mm. Tolerances ±0.1mm unless otherwise stated.

Soldering Profile

