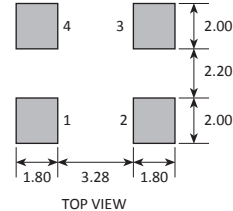


PAD	CONNECTION
1	Enable/Disable
2	Ground
3	Output
4	Supply



Features

- ▶ Excellent phase noise & jitter characteristics
- ▶ Custom frequencies and specifications available
- ▶ Enable / disable tristate function
- ▶ Small and medium quantities also available

Example Applications

- ▶ High definition audio data converters
- ▶ Radar
- ▶ High performance networking & comms
- ▶ Wireless infrastructure
- ▶ Medical imaging
- ▶ Optical transceivers

Enable / Disable Function

Input (pad 1)	Output (pad 3)
Open	Enabled
'1' level	Enabled
'0' level	High Impedance

Specifications

GXO-7506G: 1.8V supply

GXO-7506J: 2.5V supply

GXO-7506L: 3.3V supply

Parameters	Variant			Option Codes	
	G	J	L		
Frequency range:	12.0 ~ 50.0MHz	■	■	■	
Frequency stability*:	±25ppm ±50ppm	■ □	■ □	■ □	A B
Operating temperature range:	-40 to +85°C	■	■	■	
Storage temperature range:	-55 to +125°C	■	■	■	
Supply voltage (V _{DD}):	+1.8V (±5%) +2.5V (±5%) +3.3V (±10%)	■	■	■	
Supply current (mA max):	20.0 ~ 50.0MHz	7	12	20	
Logic levels:	'0' level = 20%V _{DD} max '1' level = 80%V _{DD} min '0' level = 10%V _{DD} max '1' level = 90%V _{DD} min	■ ■	■ ■	■ ■	
Start up time:	10ms max 5ms max	■	■	■	
Waveform symmetry:	40:60 max @ 50%V _{DD} 45:55 max @ 50%V _{DD}	■	■	■	
Driving ability:	15pF CMOS	■	■	■	
Rise / fall time:	5ns max (20.0 ~ 50.0MHz)	■	■	■	
Enable / disable function:	Tristate (control via pad 1)	■	■	■	
Phase jitter RMS:	0.04ps typ (12kHz ~ 5.0MHz)	■	■	■	
Phase noise (typ @ 24.576MHz, 3.3V):	-101dBc/Hz @ 10Hz -132dBc/Hz @ 100Hz -155dBc/Hz @ 1kHz -166dBc/Hz @ 10kHz -174dBc/Hz @ 100kHz -175dBc/Hz @ 1MHz -175dBc/Hz @ 5MHz	■ ■ ■ ■ ■ ■ ■	■ ■ ■ ■ ■ ■ ■	■ ■ ■ ■ ■ ■ ■	

■ Standard. □ Optional - Please specify required code(s) when ordering

* Frequency stability is inclusive of calibration @ 25°C, operating temperature range, supply voltage change, load change, shock and vibration.

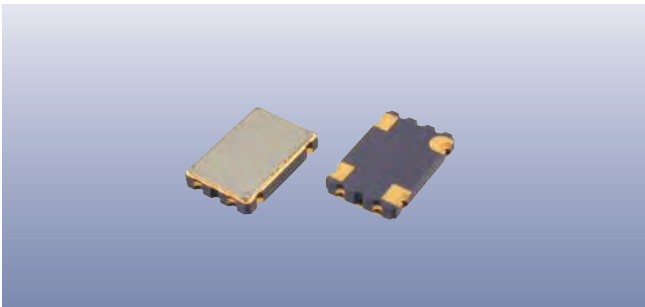
Ordering Information

Product name + variant + option codes (if any) + frequency



eg: **GXO-7506L/A 40.0MHz** 3.3V, ±25ppm

GXO-7506G/B 24.5760MHz 1.8V, ±50ppm

Option code X (eg GXO-7506L/X) denotes a custom spec.



Construction

-  Ceramic body with gold-plated pads
-  Metal lid, seam sealed

Composition



This product is lead-free, and is fully compliant with current RoHS directives



LeadFree

Packaging & Handling

Production quantities supplied on T&R, 2k pcs per reel.
Small quantities may be supplied on tape (no reel), or in bulk.



◆ Static sensitive product. Observe proper handling precautions

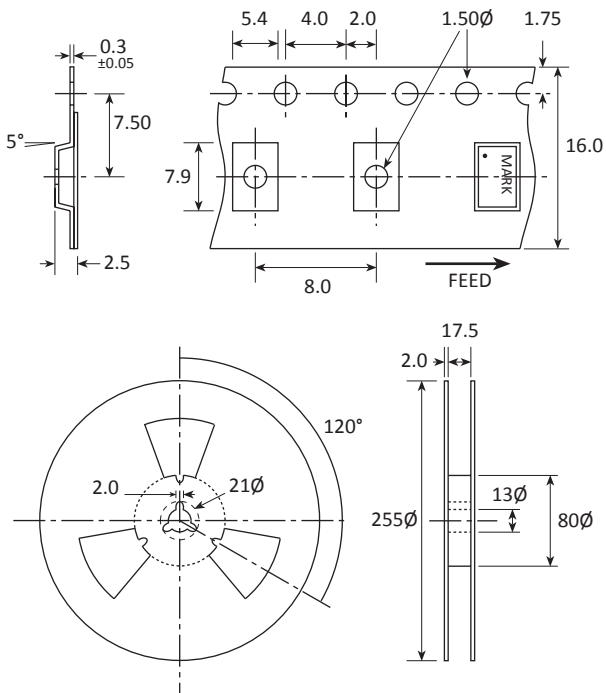
Marking

FREQUENCY DC
PARTNO
•

- Pin 1
- Marking type: Laser
- DC = Date code in YM, eg "EC" = Mar 2015

	A	B	C	D	E	F	G	H	J	K	L	M
Y	1	2	3	4	5	6	7	8	9	0		
M	Jan	Feb	Mar	Apr	May	Jun	Jul	Aug	Sep	Oct	Nov	Dec

Tape & Reel Specification



Not to scale. Dimensions in mm. Tolerances ±0.1mm unless otherwise stated.

Soldering Profile

