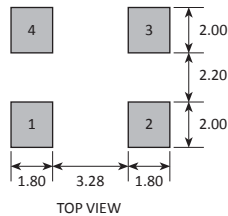


PAD	CONNECTION
1	Enable/Disable
2	Ground
3	Output
4	Supply



## Features

- ▶ High precision with tight stability options
- ▶ Wide operating temperature ranges
- ▶ High frequency fundamental - no multiplier
- ▶ Low & medium volumes also available
- ▶ Enable / disable tristate function

## Enable / Disable Function

Input (pad 1)	Output (pad 3)
Open	Enabled
'1' level	Enabled
'0' level	High Impedance

Note: '0' level =  $V_{IL} \leq 30\%V_{DD}$ , '1' level =  $V_{IH} \geq 70\%V_{DD}$

## Specifications

**GXO-7500: 1.8V supply**

**GXO-7500: 2.5V supply**

**GXO-7500: 3.3V supply**

Parameters	Variant			Option Codes
	G	J	L	
<b>Frequency range:</b> 10.0 ~ 160MHz	■	■	■	
<b>Frequency stability (max)*</b> ±2.5ppm over -40 to +85°C ±5.0ppm over -40 to +85°C ±10ppm over -40 to +85°C ±20ppm over -40 to +105°C ±25ppm over -40 to +125°C	□ ■ □ □ □	□ ■ □ □ □	□ ■ □ □ □	H G F D A
<b>Storage temperature range:</b> -55 to +125°C	■	■	■	
<b>Supply voltage (V<sub>DD</sub>):</b> +1.8V (±5%) +2.5V (±5%) +3.3V (±5%)	■	■	■	
<b>Supply current (mA max):</b> 11mA (10.0 ~ 80.0MHz) 20mA (80.0 ~ 160MHz)	■	■	■	
<b>Logic levels:</b> '0' level = 10%V <sub>DD</sub> max '1' level = 90%V <sub>DD</sub> min	■	■	■	
<b>Start up time:</b> 5ms max	■	■	■	
<b>Waveform symmetry:</b> 45:55 max @ 50%V <sub>DD</sub>	■	■	■	
<b>Driving ability:</b> 15pF CMOS	■	■	■	
<b>Rise / fall time (10~90%V<sub>DD</sub>):</b> 6ns max (≤40.0MHz) 3ns max (>40.0MHz)	■	■	■	
<b>Enable / disable function:</b> Tristate (control via pad 1)	■	■	■	
<b>Stand-by current:</b> 10µA max	■	■	■	
<b>Phase jitter RMS:</b> 0.3ps typ (12kHz ~ 20.0MHz)	■	■	■	

■ Standard. □ Optional - Please specify required code(s) when ordering

\* Frequency stability is inclusive of calibration @ 25°C, operating temperature range, supply voltage change, load change, shock and vibration. Option H inclusive of calibration @ 25°C and operating temperature range only.

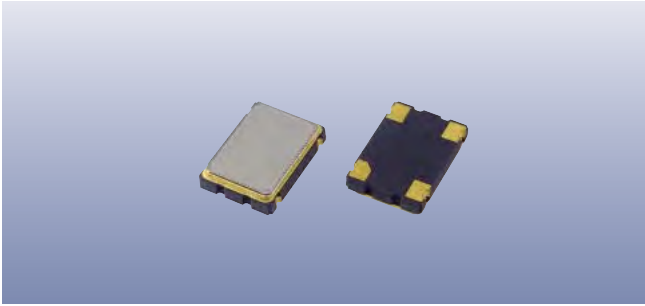
## Ordering Information

Product name + variant + option codes + frequency

eg: **GXO-7500L/G 54.0MHz** 3.3V, ±5ppm, -40+85°C

**GXO-7500G/D 108MHz** 1.8V, ±10ppm, -40+105°C

Option code X (eg GXO-7500L/X) denotes a custom spec.



## Construction

- ▮ Ceramic body with gold-plated pads
- ▮ Metal lid, seam sealed

## Composition



This product is lead-free, and is fully compliant with current RoHS directives



## Packaging & Handling

Production quantities supplied on T&R, 2k pcs per reel.  
Small quantities may be supplied on tape (no reel), or in bulk.



◆ Static sensitive product. Observe proper handling precautions

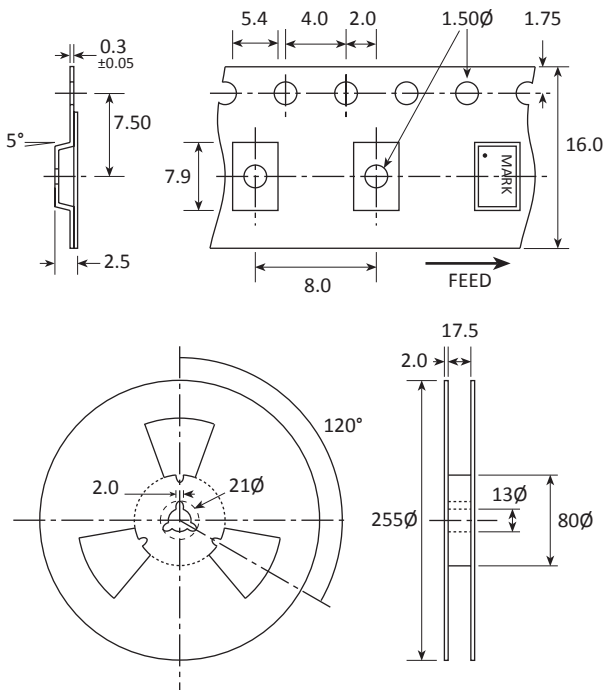
## Marking

FREQUENCY  
DC

Marking type: Laser  
DC = Date code in YM, eg "GE" = May 2017

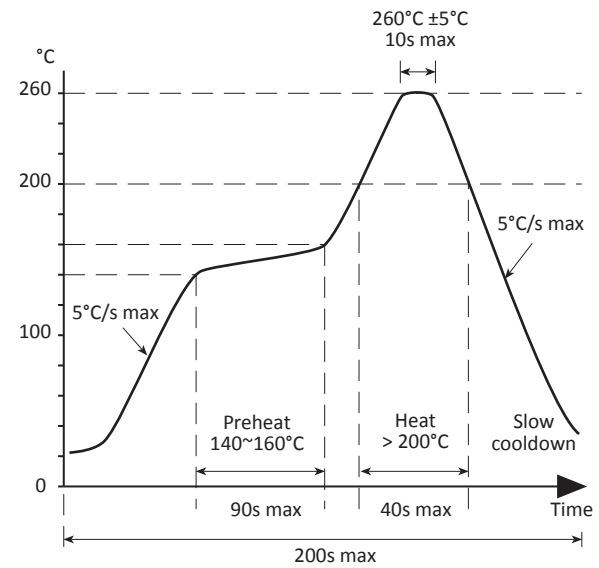
	A	B	C	D	E	F	G	H	J	K	L	M
Y	1	2	3	4	5	6	7	8	9	0		
M	Jan	Feb	Mar	Apr	May	Jun	Jul	Aug	Sep	Oct	Nov	Dec

## Tape & Reel Specification



Not to scale. Dimensions in mm. Tolerances ±0.1mm unless otherwise stated.

## Soldering Profile



Solder resistance: 260°C x 10 secs x 2.