

Features

- ▣▣▣▣ Ideally suited for GPS applications
- ▣▣▣▣ Supply voltages from 1.8V ~ 3.6V
- ▣▣▣▣ Low power consumption
- ▣▣▣▣ Miniature SM package
- ▣▣▣▣ Excellent frequency stability

Specifications

GTXO-253T: TCXO, no frequency adjustment

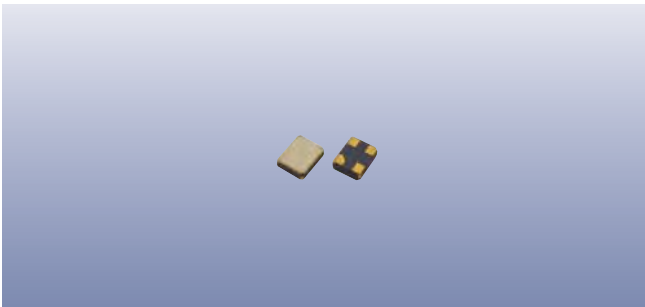
GTXO-253V: TCXO with VC frequency adjustment

Parameters	Variant		Option Codes
	T	V	
Frequency range: 10.0 ~ 52.0MHz	■	■	
Frequency stability: ±2.5ppm	■	■	J
±2.0ppm	□	□	H
±1.5ppm	□	□	G
±1.0ppm	□	□	F
±0.5ppm (see note 1)	□	□	E
Temperature range: -10 to +60°C	□	□	C
-20 to +75°C	□	□	N
-30 to +85°C	■	■	S
-40 to +85°C	□	□	I
Storage temperature range: -40 to +85°C	■	■	
Supply voltage stability: ±0.2ppm, V _{DD} ±5%	■	■	
Load stability: ±0.2ppm, Z _L ±10%	■	■	
Frequency slope: ±0.05ppm/°C over -30+85°C	■	■	
Ageing: ±1.0ppm max first year	■	■	
Supply voltage (V _{DD}): +2.8V	■	■	specify
Other (+1.8V ~ +3.6V)	□	□	
Supply current: 1.5~2.0mA max	■	■	
Output waveform: Clipped sine, 0.8V p-p, +DC offset	■	■	
Test load (Z _L): 10kΩ // 10pF	■	■	
Start up time: 3ms max	■	■	
Frequency adjustment: None	■	■	
±8 ~ ±14ppm, +1.4V ±1.0V	■	■	
Harmonics: -5dBc max	■	■	
Phase noise: -130dBc/Hz @ 1kHz	■	■	
Frequency tolerance @ 25°C: ±2.0ppm max, 60mins after reflow	■	■	

■ Standard. □ Optional - Please specify required code(s) when ordering


Ordering Information

Product name + variant + option codes + frequency
 Option codes must be included to properly specify a model.
 eg: **GTXO-253V/JS 13.00MHz** ±2.5ppm -30+85°C, TCXO with VC
GTXO-253T/HN 14.40MHz ±2.0ppm -20+75°C, TCXO no VC
 Option code X (eg GTXO-253V/X) denotes a custom spec.



Packaging & Handling

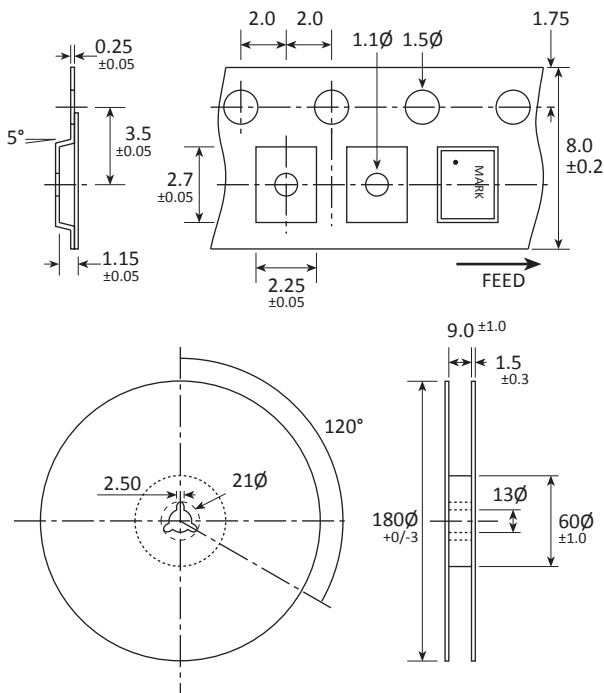
Production quantities supplied on T&R, 1k or 3k pcs per reel. Small quantities may be supplied on tape (no reel), or in bulk.

 Static sensitive product. Observe proper handling precautions

Marking

<p>FREQUENCY</p> <ul style="list-style-type: none"> DC 	<ul style="list-style-type: none"> Pin 1 <p>Marking type: Laser DC = Date code</p>
---	---

Tape & Reel Specification





Not to scale. Dimensions in mm. Tolerances ±0.1mm unless otherwise stated

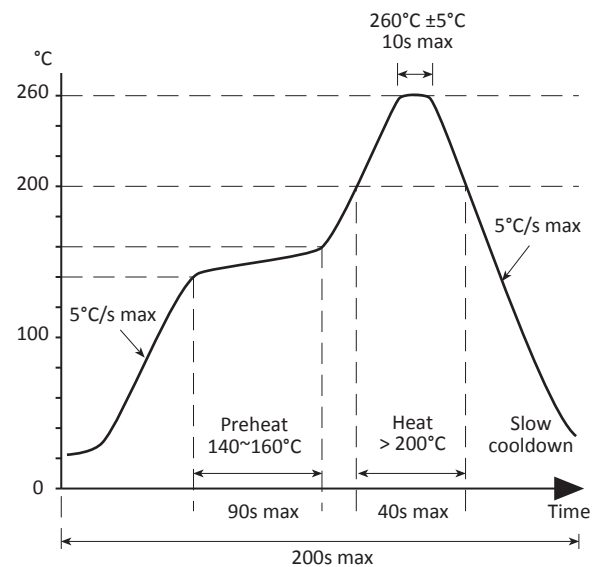
Construction

- Ceramic body with gold-plated pads
- Metal lid, seam sealed

Composition

 This product is lead-free, and is fully compliant with current RoHS directives 

Soldering Profile



Solder resistance: 260°C x 10 secs x 2.