

Features

- Ideally suited for wearable applications
- Supply voltages from 1.8V ~ 3.6V
- Low power consumption
- Miniature SM package
- Excellent frequency stability

Specifications

GTXO-203T: TCXO, no frequency adjustment

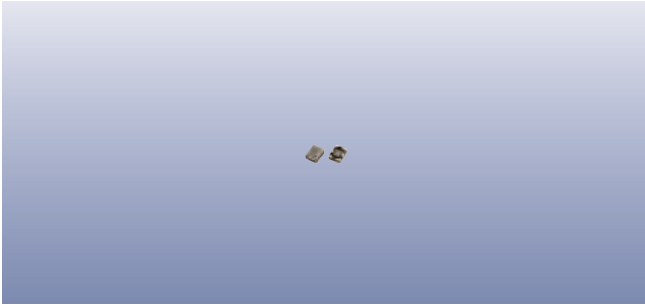
GTXO-203V: TCXO with VC frequency adjustment

Parameters	Variant		Option Codes
	T	V	
Frequency range: 26.0 ~ 52.0MHz	■	■	
Frequency stability:			
±2.5ppm	■	■	J
±2.0ppm	□	□	H
±1.5ppm	□	□	G
±0.5ppm	□	□	E
Temperature range:			
0 to +50°C	□	□	R
-10 to +60°C	□	□	C
-20 to +75°C	□	□	N
-30 to +85°C	■	■	S
Storage temperature range: -40 to +85°C	■	■	
Supply voltage stability: ±0.2ppm, V _{DD} ±5%	■	■	
Load stability: ±0.2ppm, Z _L ±10%	■	■	
Ageing: ±1.0ppm max first year	■	■	
Supply voltage (V _{DD}): +1.8V	■	■	
Other (+1.8V ~ +3.6V)	□	□	specify
Supply current: 1.5~2.0mA max	■	■	
Output waveform: Clipped sine, 0.8V p-p, +DC offset	■	■	
Test load (Z _L): 10kΩ // 10pF	■	■	
Start up time: 3ms max	■	■	
Frequency adjustment: None	■	■	
±5 ~ ±14ppm, +1.4V ±1.0V		■	
Harmonics: -5dBc max	■	■	
Phase noise: -130dBc/Hz @ 1kHz	■	■	
Frequency tolerance @ 25°C: ±2.0ppm max, 60mins after reflow	■	■	

■ Standard. □ Optional - Please specify required code(s) when ordering

Ordering Information

Product name + variant + option codes + frequency
 Option codes must be included to properly specify a model.
 eg: **GTXO-203V/JS 38.40MHz** ±2.5ppm -30+85°C, TCXO with VC
GTXO-203T/HN 26.0MHz ±2.0ppm -20+75°C, TCXO no VC
 Option code X (eg GTXO-203V/X) denotes a custom spec.



Construction

- ▮ Ceramic body with gold-plated pads
- ▮ Metal lid, seam sealed

Composition



This product is lead-free, and is fully compliant with current RoHS directives



Packaging & Handling

Production quantities supplied on T&R, 2k pcs per reel.
Small quantities may be supplied on tape (no reel), or in bulk.



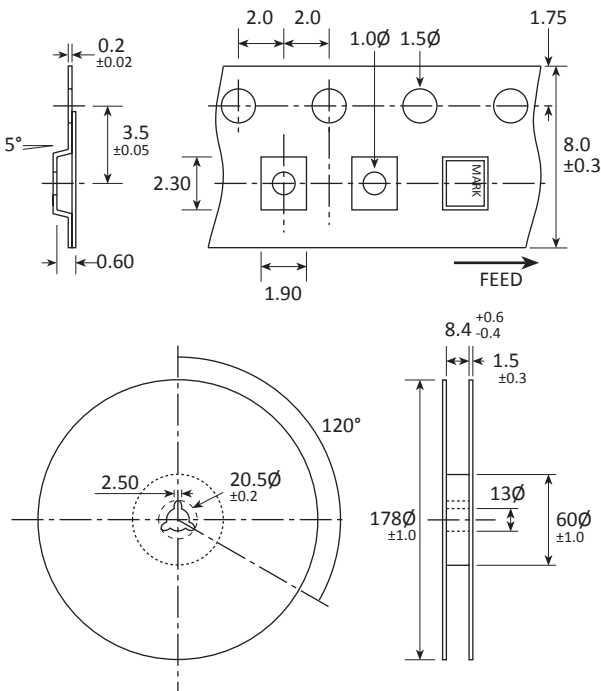
• Static sensitive product. Observe proper handling precautions

Marking

DC LC
• FREQUENCY

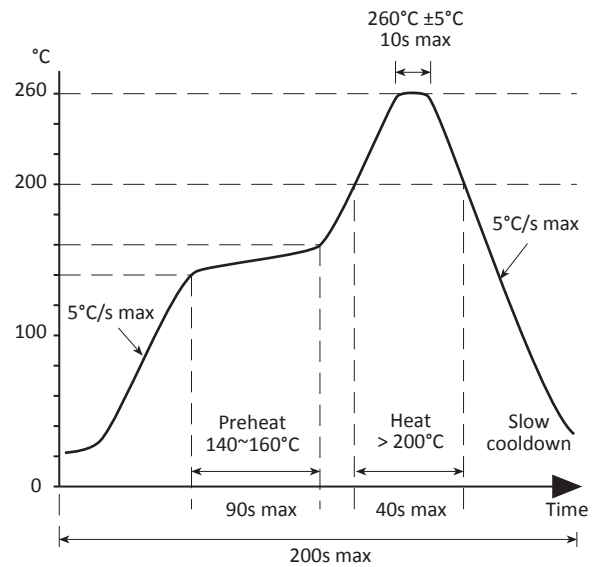
• Pin 1
Marking type: Laser
DC = Date code . LC = Lot codes

Tape & Reel Specification



Not to scale. Dimensions in mm. Tolerances ±0.1mm unless otherwise stated

Soldering Profile



Solder resistance: 260°C x 10 secs x 2.