

| PAD | CONNECTION |
|-----|-----------------|
| 1 | Control voltage |
| 2 | Ground |
| 3 | Output |
| 4 | Supply |

Features

- ▶ 3.3V supply
- ▶ Fundamental mode crystal up to 54.0MHz
- ▶ Choice of pullability & stability
- ▶ Miniature SM package

Specifications

| Parameters | Product | Option Codes |
|--|------------------|------------------------|
| | GVXO-523 | |
| Frequency range: 1.50 ~ 54.0MHz | ■ | |
| Voltage control: +1.65V ±1.50V, 10% linearity | ■ | |
| Frequency pullability (min): ±100ppm (<30MHz only) ±80ppm ±50ppm Other | ■ ■ □ □ | S P N specify |
| Frequency stability: ±50ppm ±25ppm Other | ■ □ □ | B C specify |
| Operating temperature range: -20 to +70°C -40 to +85°C | ■ □ | I |
| Storage temperature range: -40 to +85°C | ■ | |
| Supply voltage (V _{DD}): +3.3V (±10%) | ■ | |
| Supply current: 10mA max (1.5 ~ 20.0MHz) 15mA max (>20.0 ~ 30.0MHz) 20mA max (>30.0 ~ 40.0MHz) 25mA max (>40.0MHz) | ■ ■ ■ ■ | |
| Driving ability: 15pF CMOS | ■ | |
| Logic levels: '0' level = 10%V _{DD} max '1' level = 90%V _{DD} min | ■ ■ | |
| Waveform symmetry: 45:55 max @ 50%V _{DD} | ■ | |
| Rise / fall time (10%~90%V _{DD}): 10ns max (1.5 ~ 10.0MHz) 6ns max (>10.0MHz) | ■ ■ | |
| Start up time: 10ms max | ■ | |
| Period jitter RMS: 6 ps max | ■ | |
| Phase jitter RMS: 1ps max, 12kHz ~ 20MHz | ■ | |
| Phase noise (typ): -130dBc/Hz @ 1kHz | ■ | |
| Ageing: ±5ppm / year max | ■ | |

■ Standard. □ Optional - Please specify required code(s) when ordering

Ordering Information

Product + option codes + frequency

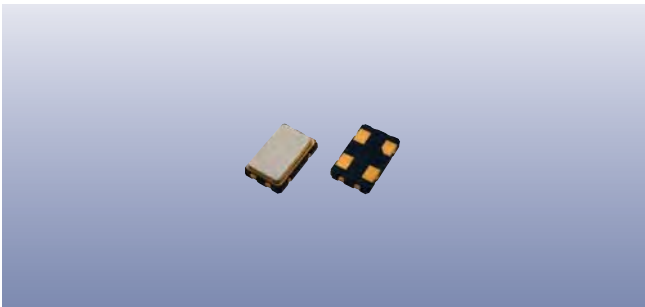
eg: **GVXO-523/SC 27.0MHz** ±100ppm pull, ±25ppm stab, -10+70°C

GVXO-523/PBI 35.3280MHz ±80ppm pull, ±50ppm stab, -40+85°C

Option codes must be included to specify a model completely.


Option code X (eg GVXO-523/X) denotes a custom spec.

♦ Please check availability of ±25ppm stability over -40+85°C before ordering



Packaging & Handling

Production quantities supplied on T&R, 1k pcs per reel.
Small quantities may be supplied on tape (no reel), or in bulk.

 Static sensitive product. Observe proper handling precautions

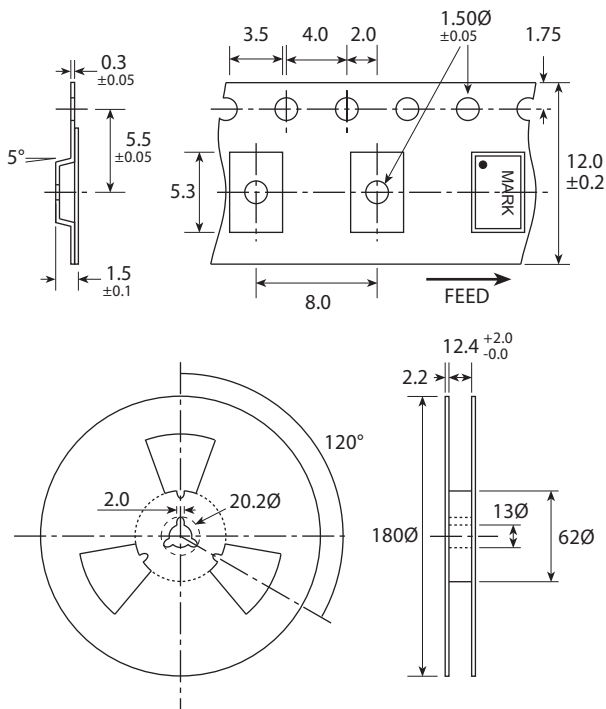
Marking

FREQUENCY
• **PARTNO DC**

• Pin 1
Marking type: Laser
DC = Date code in YM, eg "DE" = May 2014

| | | | | | | | | | | | | |
|---|-----|-----|-----|-----|-----|-----|-----|-----|-----|-----|-----|-----|
| | A | B | C | D | E | F | G | H | J | K | L | M |
| Y | 1 | 2 | 3 | 4 | 5 | 6 | 7 | 8 | 9 | 0 | | |
| M | Jan | Feb | Mar | Apr | May | Jun | Jul | Aug | Sep | Oct | Nov | Dec |

Tape & Reel Specification





Not to scale. Dimensions in mm. Tolerances ±0.1mm unless otherwise stated

Construction

- ▮ Ceramic body with gold-plated pads
- ▮ Metal lid, seam sealed

Composition

 This product is lead-free, and is fully compliant with the RoHS 2 directive 2011/65/EU 

Soldering Profile

