

Features

- ▶ Low current consumption
- ▶ Choice of supply voltages
- ▶ Miniature ceramic package with metal lid
- ▶ Competitive pricing

Specifications

- GVXO-331G: 1.8V supply
- GVXO-331K: 2.8V supply
- GVXO-331L: 3.3V supply

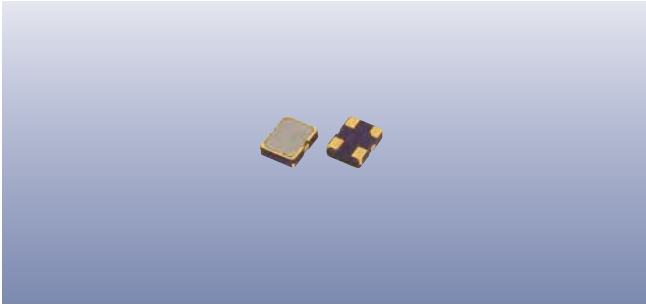
Parameters	Variant			Option Codes
	G	K	L	
Frequency range: 1.50 ~ 64.440MHz	■	■	■	
Voltage control: +0.9V ±0.9V, 10% linearity +1.4V ±1.4V, 10% linearity +1.65V ±1.65V, 10% linearity	■	■	■	
Frequency pullability (min): ±80ppm ±90ppm Other	■	■	■	specify
Frequency stability*: ±50ppm ±30ppm Other	■	■	■	B C specify
Operating temperature range: -20 to +70°C -40 to +85°C	■	■	■	I
Storage temperature range: -40 to +85°C	■	■	■	
Supply voltage (V _{DD}): +1.8V (±10%) +2.8V (±10%) +3.3V (±10%)	■	■	■	
Supply current: 3mA max 9mA max 13mA max	■	■	■	
Driving ability: 15pF CMOS	■	■	■	
Logic levels: '0' level = 10%V _{DD} max '1' level = 90%V _{DD} min	■	■	■	
Waveform symmetry: 40:60 max @ 50%V _{DD}	■	■	■	
Rise / fall time (max): 10ns max (1.5 ~ 10.0MHz) 6ns max (10.0 ~ 54.0MHz)	■	■	■	

■ Standard. □ Optional - Please specify required code(s) when ordering

Ordering Information

Product + variant + option codes + frequency
 eg: **GVXO-331G/C 27.0MHz** 1.8V, ±80ppm pull, ±30ppm stab, -20+70°C
GVXO-331L/BI 54.0MHz 3.3V, ±90ppm pull, ±50ppm stab, -40+85°C
 Option codes must be included to specify a model completely.
 Option code X (eg GVXO-331/X) denotes a custom spec.

◆ Please check availability of ±30ppm stability over -40+85°C before ordering



Packaging & Handling

Production quantities supplied on T&R, 1k or 3k pcs per reel. Small quantities may be supplied on tape (no reel), or in bulk.

 Static sensitive product. Observe proper handling precautions

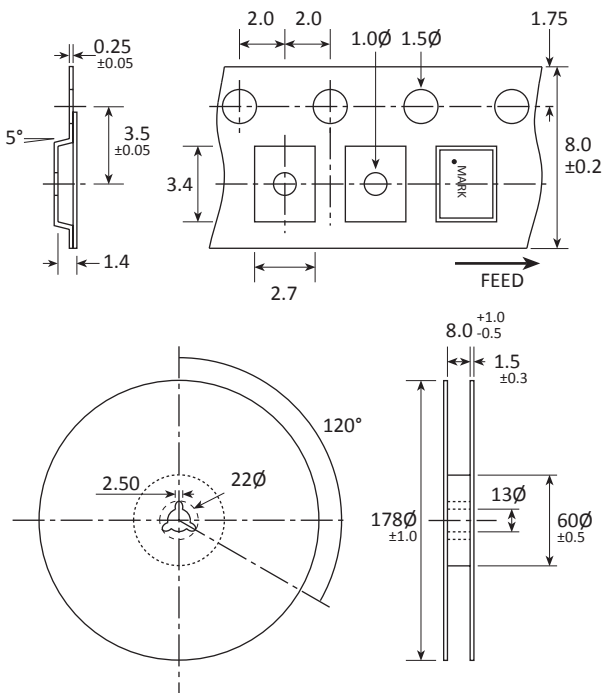
Marking

FREQUENCY
DC

Marking type: Laser
DC = Date code in YM, eg "CE" = May 2013



	A	B	C	D	E	F	G	H	J	K	L	M
Y	1	2	3	4	5	6	7	8	9	0		
M	Jan	Feb	Mar	Apr	May	Jun	Jul	Aug	Sep	Oct	Nov	Dec

Tape & Reel Specification



Not to scale. Dimensions in mm. Tolerances ± 0.1 mm unless otherwise stated

Construction

-  Ceramic body with gold-plated pads
-  Metal lid, seam sealed

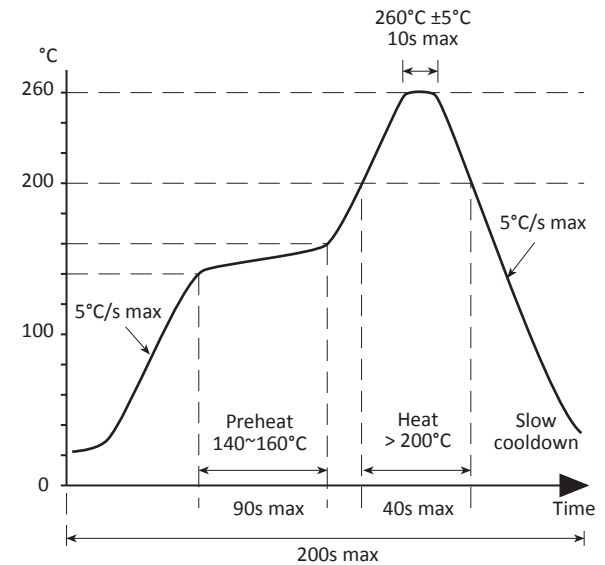
Composition



This product is lead-free, and is fully compliant with the RoHS 2 directive 2011/65/EU



Soldering Profile



Solder resistance: 260°C x 10 secs x 2.