

## Features

- ▶ Fundamental mode up to 315MHz
- ▶ Plasma etched inverted mesa process
- ▶ Wide pulling range (fundamental mode)
- ▶ Small & medium volumes also available
- ▶ Custom frequencies available on short lead times

## Specifications

Parameters	Product	Option Codes	
	GSX-538		
Frequency range:	8.0 ~ 315MHz	■	
Calibration tolerance:	±10ppm ±20ppm ±30ppm Other values	□ □ ■ □	1 2 3 specify
Temperature stability:	±10ppm ±15ppm ±20ppm ±30ppm Other values	□ □ □ ■ □	1 P 2 3 specify
Operating temperature range:	-20 to +70°C -40 to +85°C Other values	■ □ □	2 4 specify
Storage temperature range:	-40 to +90°C	■	
Circuit condition:	8pF 9pF 12pF 16pF 20pF Series resonant Other values	□ □ □ ■ □ □ □	M N B D F S specify
Oscillation mode:	Fundamental (8.0 ~ 315MHz) 3rd overtone (60.0 ~ 150MHz)	■ □	F 3
Static capacitance (C <sub>0</sub> ):	7pF max	■	
Equivalent series resistance (max):	150Ω (8.0 ~ 9.9MHz) 80Ω (10.0 ~ 11.9MHz) 60Ω (12.0 ~ 15.9MHz) 40Ω (16.0 ~ 315MHz, fund) 80Ω (60.0 ~ 150MHz, 3rd OT)	■ ■ ■ ■ ■	
Ageing:	±3ppm max first year	■	
Test drive level:	10μW typ, 100μW max	■	
Soldering condition:	260°C, 10sec x2 max	■	

■ Standard. □ Optional - Please specify required code(s) when ordering

## Ordering Information

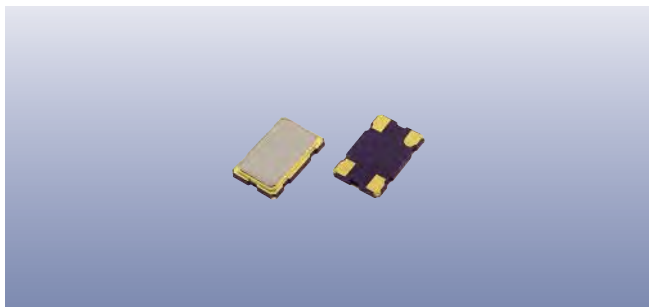
Product name + option codes + frequency

eg: **GSX-538/234DF 12.80MHz** 20/30/40/16-F

**GSX-538/352BF 100MHz** 30/50/20/12-F

Option code X (eg GSX-538/X) denotes a custom specification.

◆ ±10ppm calibration and/or temperature stability may not be available above 70.0MHz. Please check before ordering.



## Construction

- Ceramic body with gold-plated pads
- Metal lid, seam sealed

## Composition



This product is lead-free, and is fully compliant with current RoHS directives



LeadFree

## Packaging & Handling

Production quantities supplied on T&R, 1k or 2k pcs per reel. Small quantities may be supplied on tape (no reel), or in bulk.

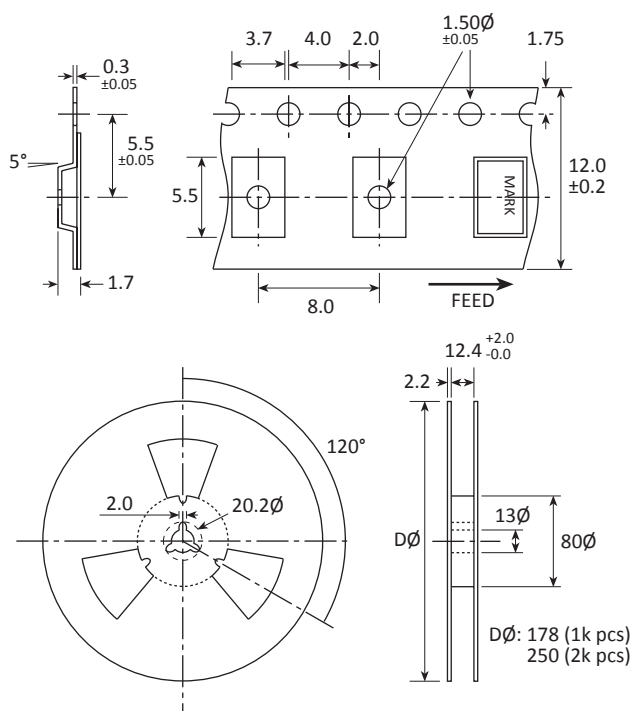
## Marking

FREQUENCY  
DC

Marking type: Laser  
DC = Date code in YM, eg "EB" = Feb 2015

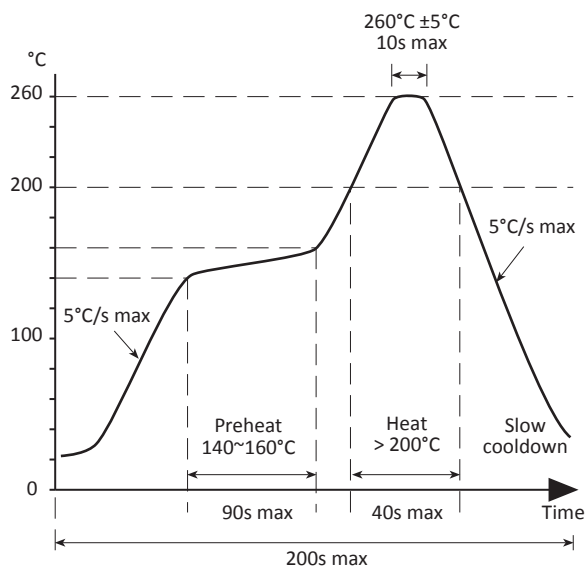
	A	B	C	D	E	F	G	H	J	K	L	M
Y	1	2	3	4	5	6	7	8	9	0		
M	Jan	Feb	Mar	Apr	May	Jun	Jul	Aug	Sep	Oct	Nov	Dec

## Tape & Reel Specification



Not to scale. Dimensional tolerances ±0.1mm unless otherwise stated.

## Soldering Profile



Maximum solder resistance: 260°C x 10 secs x 2.