

Features

- ▶ Ultra-miniature for maximum space saving
- ▶ Ideal for Bluetooth, NFC, Smartcard, wireless etc
- ▶ Metal lid grounded to minimise EMI
- ▶ Seam sealed for excellent long-term stability

Specifications

Parameters	Product	Option Codes
	GSX-211	
Frequency range: 24.0 ~ 54.0MHz	<input checked="" type="checkbox"/>	
Calibration tolerance: ±10ppm ±15ppm ±20ppm Other values (±10.0 ~ ±100ppm)	<input type="checkbox"/> <input checked="" type="checkbox"/> <input type="checkbox"/> <input type="checkbox"/>	1 P 2 specify
Temperature stability: ±10ppm ±15ppm ±20ppm Other values (±7.5 ~ ±100ppm)	<input type="checkbox"/> <input checked="" type="checkbox"/> <input type="checkbox"/> <input type="checkbox"/>	1 P 2 specify
Operating temperature range: -20 to +70°C -30 to +85°C Other values	<input checked="" type="checkbox"/> <input type="checkbox"/> <input type="checkbox"/>	2 3 specify
Storage temperature range: -40 to +90°C	<input checked="" type="checkbox"/>	
Circuit condition: 5pF 8pF 9pF 10pF Series resonant Other values	<input type="checkbox"/> <input checked="" type="checkbox"/> <input type="checkbox"/> <input type="checkbox"/> <input type="checkbox"/> <input type="checkbox"/>	R M N A S specify
Static capacitance (C₀): 5pF max	<input checked="" type="checkbox"/>	
Oscillation mode: Fundamental	<input checked="" type="checkbox"/>	F
Equivalent series resistance: 100Ω max (24.0 ~ 37.39MHz) 80Ω max (37.4 ~ 54.0MHz)	<input checked="" type="checkbox"/> <input checked="" type="checkbox"/>	
Ageing: ±2ppm max first year	<input checked="" type="checkbox"/>	
Test drive level: 10μW typ, 100μW max	<input checked="" type="checkbox"/>	
Soldering condition: 260°C, 10 sec x2 max	<input checked="" type="checkbox"/>	

■ Standard. □ Optional - Please specify required code(s) when ordering

Ordering Information

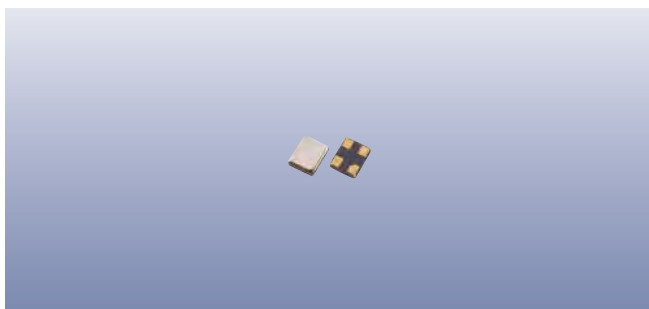
Part No, or product name + option codes + frequency

eg: **GSX-211/111NF 26.0MHz** 10/10/10/9-F

GSX-211/1P2AF 40.0MHz 10/15/20/10-F

Option code X (eg GSX-211/X) denotes a custom specification.

♦ ±10ppm temperature stability may not be available over -30+85°C.
Check with our sales office before ordering.



Packaging & Handling

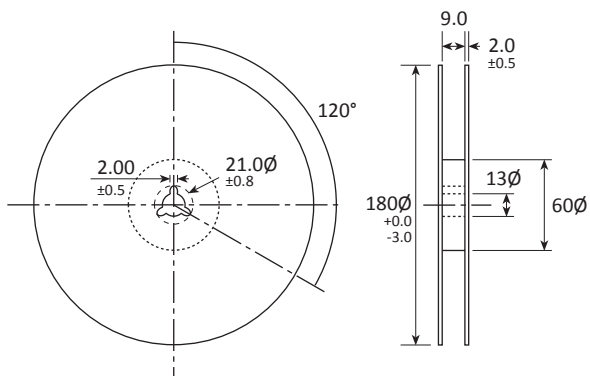
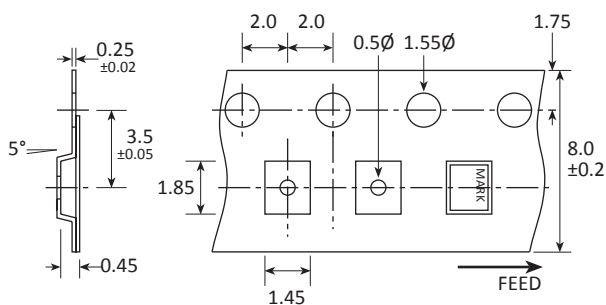
Production quantities supplied on T&R, 3k pcs per reel.
Small quantities may be supplied on tape (no reel), or in bulk.

Marking

FREQUENCY
S DC

Marking type: Laser
DC = Date code

Tape & Reel Specification



Not to scale. Dimensional tolerances ±0.1mm unless otherwise stated.

Construction

- ▮ Ceramic body with gold-plated pads
- ▮ Metal lid, seam sealed

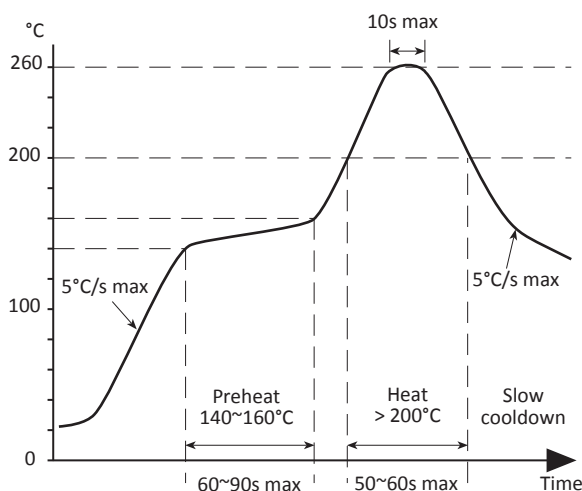
Composition



This product is lead-free, and is fully compliant with the RoHS directive 2011/65/EC



Soldering Profile



Maximum solder resistance: 260°C x 10 secs x 2.