

- ### Features
- ▶ Miniature ceramic package with metal lid
 - ▶ Vacuum seal for excellent long-term stability
 - ▶ Low cost for volume applications
 - ▶ Low power consumption

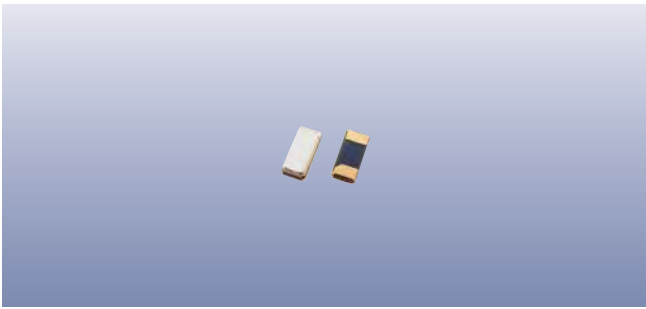
Specifications

Parameters	Product	Option Code	
	GSX-315		
Frequency:	32.768kHz	■	
Calibration tolerance:	±20ppm other	■ □	specify
Operating temperature range:	-40 to +85°C	■	
Storage temperature range:	-55 to +125°C	■	
Circuit condition:	6pF 7pF 9pF 12.5pF Other values	□ □ □ ■ □	specify specify specify specify
Static capacitance (C ₀):	2.0pF max	■	
Motional capacitance (C ₁):	3.0fF min	■	
Equivalent series resistance:	50kΩ typ, 70kΩ max @ 25°C	■	
Ageing:	±3ppm max first year	■	
Drive level:	0.1μW typ, 0.5μW max	■	
Turnover temperature (T ₀):	+25°C ±5°C	■	
Frequency / temp coefficient:	-0.04ppm/°C ² max	■	
Soldering condition:	Reflow, 260°C, 20 sec max	■	

■ Standard. □ Optional - Please specify required code(s) when ordering

Ordering Information

Product name + calibration tolerance + load capacitance
 eg: **GSX-315 ±20ppm 12.5pF**
GSX-315 ±100ppm 9pF
 Option code X (eg GSX-315/X) denotes a custom spec.



Packaging & Handling

Production quantities supplied on T&R, 3k pcs per reel.
Small quantities may be supplied on tape (no reel), or in bulk.

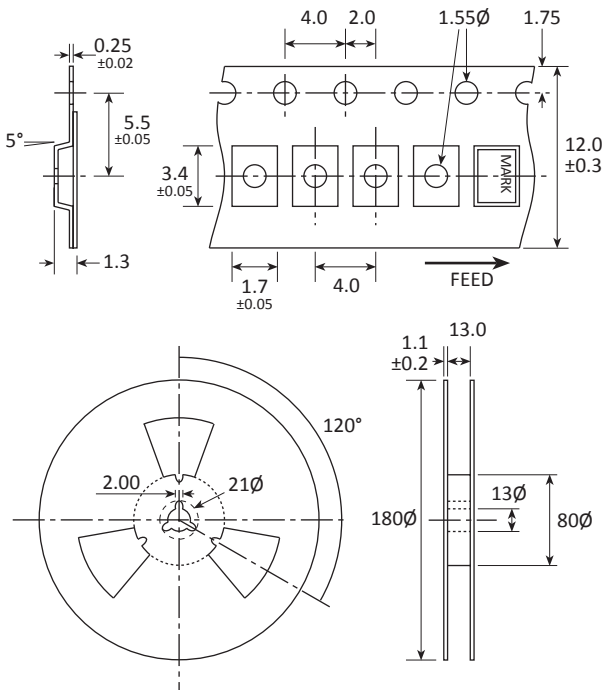
Marking

S DC NNN

Marking type: Laser
DC = Date code in YM, as shown below
Example: "DE" = May 2014
NNN = Lot number

	A	B	C	D	E	F	G	H	J	K	L	M
Y	1	2	3	4	5	6	7	8	9	0		
M	Jan	Feb	Mar	Apr	May	Jun	Jul	Aug	Sep	Oct	Nov	Dec

Tape & Reel Specification



Not to scale. Dimensional tolerances ±0.1mm unless otherwise stated.

Construction

- ➡ Ceramic body with gold-plated pads
- ➡ Metal lid, seam sealed

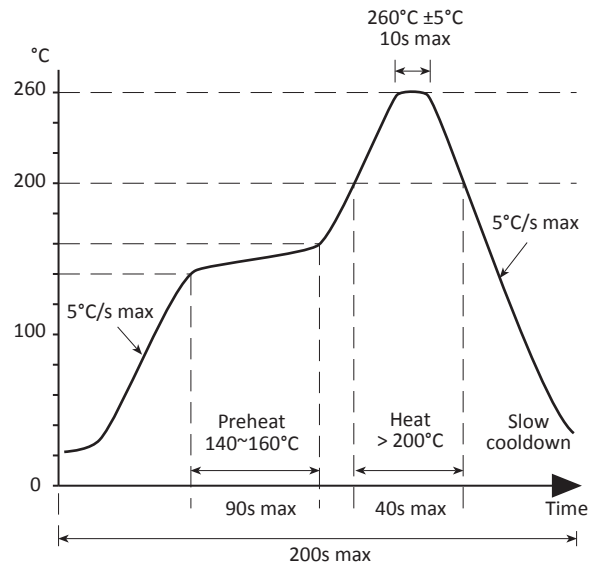
Composition



This product is lead-free, and is fully compliant with the RoHS 2 directive 2011/65/EU



Soldering Profile



Maximum solder resistance: 260°C x 10 secs x 2.