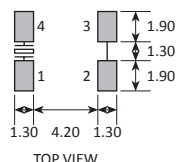


SOLDER PAD LAYOUT



TOP VIEW

Features

- ▶ Compatible with MC-306, DMX-26S, FSRLF, E1WS, SMQ32SL, RSM200S etc
- ▶ Plastic moulded surface mount package
- ▶ Miniature size for high density applications
- ▶ Industrial operating temperature range
- ▶ 6pF version for Dallas RTC

Specifications

Parameters	Product	Option Codes
	GSX-200	
Frequency:	32.768kHz	■
Calibration tolerance:	±20ppm ±5 ~ ±100ppm	■ □ specify
Temperature stability:	-50ppm (-10 to +60°C) -130ppm (-30 to +80°C)	■ ■
Operating temperature range:	-40 to +85°C	■
Storage temperature range:	-55 to +125°C	■
Turnover temperature (T ₀):	+25°C ±5°C	■
Frequency / temp coefficient:	-0.034±0.006ppm/°C ² typ	■
Circuit condition:	12.5pF 6pF	■ □ D
Static capacitance (C ₀):	1.35pF typ	■
Motional capacitance (C ₁):	3.0fF typ	■
Equivalent series resistance (max):	50kΩ @ 25°C	■
Ageing:	±3ppm max first year	■
Drive level:	1.0μW typ	■
Shock resistance:	±5ppm max	■
Soldering conditions:	260°C, 10sec max	■

■ Standard. □ Optional - Please specify required code(s) when ordering

Ordering Information

Product name + option codes (if any)

eg: **GSX-200** ±20ppm 12.5pF

GSX-200/D ±20ppm 6pF

Option code X (eg GSX-200/X) denotes a custom specification.

◆ Available on T&R - 3k pcs per reel.

◆ Also available at frequencies from 30.0 ~ 100kHz



Standard Models

The table shows the most common models. We hold huge stocks of these items at all times for immediate delivery at extremely competitive pricing.


Frequency	Description	Load capacitance	Calibration tolerance	Part No (MPN)
32.768kHz	GSX-200	12.5pF	±20ppm	003-277
32.768kHz	GSX-200/D	6pF	±20ppm	MS07663
32.768kHz	GSX-200 ±05	12.5pF	±5ppm	MS06350



Construction

-  Plastic moulded surface mount package
-  Industry standard package

Composition

 This product is fully compliant with current RoHS directives

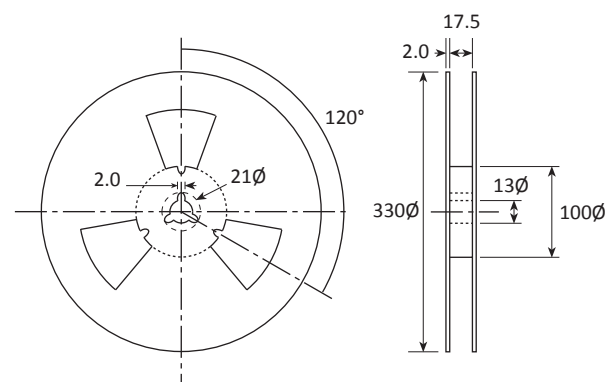
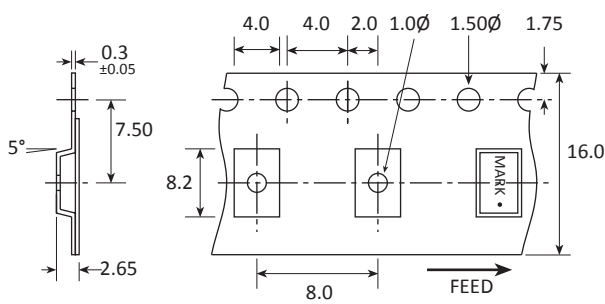
Packaging & Handling

Production quantities supplied on T&R, 3k pcs per reel.
Small quantities may be supplied on tape (no reel), or in bulk.

Marking

32CYNN •
Marking type: Laser
YNN = Date code
Example: "532" = 2015 week 32

Tape & Reel Specification



Not to scale. Dimensional tolerances ±0.1mm unless otherwise stated.

Soldering Profile

