



ROHS-Compliant Product

# V-9900 Series



1. Specification		
Type:	V-9950	V-9930
Power supply voltage $V_B$ :	+5.0 V $\pm$ 10%	+3.3 V $\pm$ 10%
Nominal frequency range :	1.544 MHz ... 77.76 MHz	
Overall stability <sup>(1)</sup> $\pm$ 70 ppm: $\pm$ 50 ppm: $\pm$ 25 ppm (not available for -40/+85°C):	V-9957 V-9955 V-9952	V-9937 V-9935 V-9932
Frequency pulling range:	$\geq \pm$ 100 ppm	
Control voltage range $V_C$ :	+0.5 V to +4.5 V	+0.3 V to +3.0 V
Transfer function / Linearity:	< 10% / Positive	
Temp. Range Options -20 °C to +70 °C: -40 °C to +85 °C:	C E	
Current consumption:	< 60 mA	
TriState function:	Logic low: Disable Logic high or not connected: Enable	
Control voltage input impedance:	$\geq$ 50 kOhm	
Output voltage : load : duty cycle :	HCMOS 1 kOhm // 15 pF 40%...60% (option J: 45% / 55%)	LVHCMOS 1 kOhm // 15 pF 40%...60% (option J: 45% / 55%)
Jitter (12 kHz to 20 MHz):	< 1ps rms	
2. Environmental conditions		
According to KVG Product Qualification Procedure AA-QM-200		

4				<b>KVG Quartz Crystal Technology GmbH</b> P.O.Box 61 D-74924 Neckarbischofsheim Tel. +49 (0) 7263 / 648-0 Fax. +49 (0) 7263 / 6196
3				
2				
1		09.02.07	M. Zupan	
ED	Description	Date	Name	



ROHS-Compliant Product

# V-9900 Series

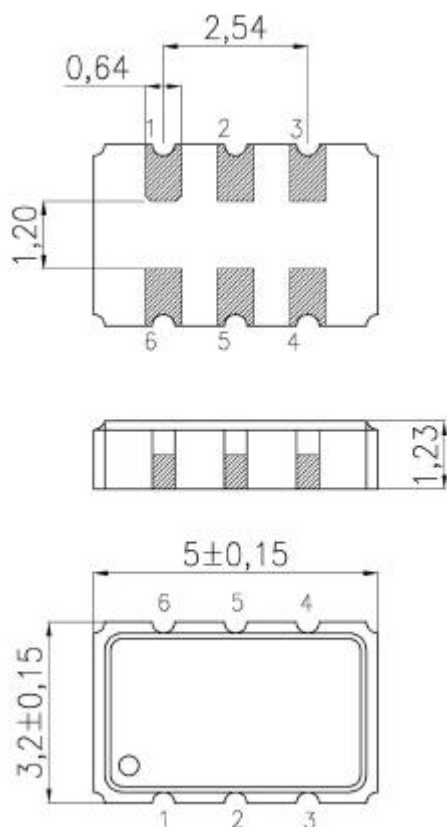


### 3. Marking

Manufacturer's name, date code(week/year)  
Specification  
Center frequency

### 4. Case

Case style: BF-193-1.2B



#### 1.Pin configuration

1. Control voltage  $V_C$
2. Tri State
3. Ground, Case
4. RF-output
5. N.C.
6. Supply voltage  $V_B$

Note 1: Frequency stability is considered as the overall stability including nominal frequency tolerance at +25°C, frequency stability vs. temperature, vs. load changes ( $\pm 5\%$ ), vs. supply voltage changes ( $\pm 5\%$ ) and 1<sup>st</sup> year aging.

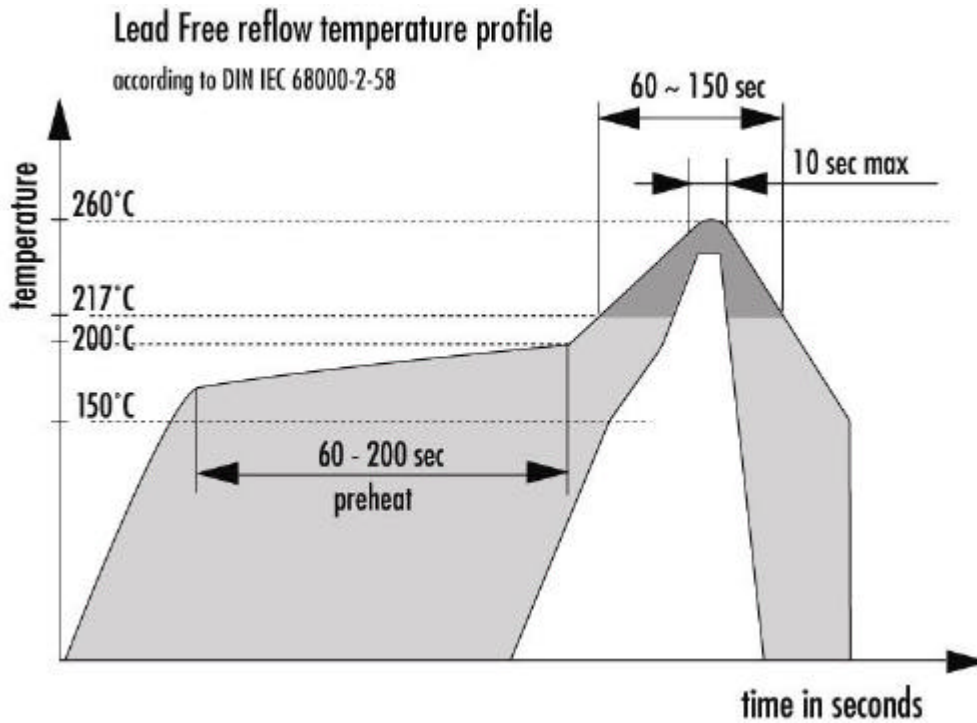
4				<b>KVG Quartz Crystal Technology GmbH</b> P.O.Box 61 D-74924 Neckarbischofsheim Tel. +49 (0) 7263 / 648-0 Fax. +49 (0) 7263 / 6196
3				
2				
1		09.02.07	M. Zupan	
ED	Description	Date	Name	



# V-9900 Series



## 5. Reflow Soldering Profile



4				<b>KVG Quartz Crystal Technology GmbH</b> P.O.Box 61 D-74924 Neckarbischofsheim Tel. +49 (0) 7263 / 648-0 Fax. +49 (0) 7263 / 6196
3				
2				
1		09.02.07	M. Zupan	
ED	Description	Date	Name	