

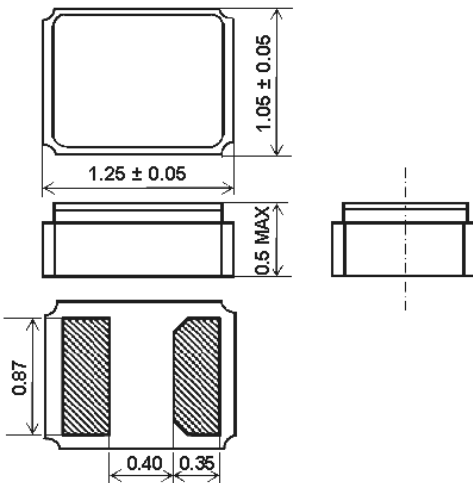


## Tuning Fork Crystal

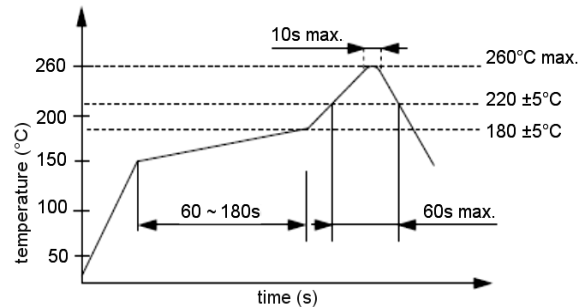
SMD-version

model	KX-327VT
frequency	32.768 kHz
operating temperature	-40° ~ +85°C
frequency tolerance (df/F) at +25°C ± 3°C	± 20 ppm
temperature tolerance (parabolic coefficient) at -40° ~ +85°C	-0.036 ppm ± 0.01/°C <sup>2</sup> typ.
turnover temperature	+25°C ± 5°C
storage temperature range	-55°C ~ +125°C
load capacitance C <sub>L</sub>	(7 pF) 9 pF, 12.5 pF
motional capacitance( C <sub>0</sub> )	1.3 pF
series resonance R1 max.	90k Ohm
aging at +25°C (first year) max.	± 3 ppm
drive level	0.1 μW typ., 0.5 μW max.
contents of reel	5000 pcs.
part no.	12.xxxxx

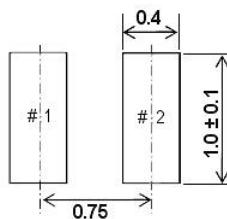
Dimensions (mm):



Reflow soldering condition:



Suggested soldering pad:



Tape specification:

