

# 533 SMX-2 Series

## 5.0 x 3.2mm Crystal unit



Glass sealing crystal  
 MOQ 3000 pieces  
 For smaller MOQ please enquire



Parameters	Specification		Remarks
Frequency range	F_nom	7.0MHz ~ 54.0MHz (Fundamental) 48.0MHz ~ 80.0MHz (3 <sup>rd</sup> Overtone)	
Frequency tolerance	F_tol	±10.0ppm ~ ±50.0ppm	
Frequency stability over operating temperature range	F_stb	±10.0ppm ~ ±50.0ppm	Table 2
Operating temperature range	T_use	-20°C ~ +70°C, -30°C ~ +85°C, -40°C ~ +85°C	Table 2
Storage temperature	T_stg	-55°C ~ +125°C	
Load capacitance	CL	8.0pF ~ 30.0pF, series	
Equivalent series resistance	ESR	Table 1	
Shunt capacitance	C0	7.0pF max	
Drive level	DL	300µW max	100µW typical
Frequency aging	F_age	±5.0ppm at 25°C, 1 <sup>st</sup> Year	
Moisture sensitivity level	MSL	1 (unlimited)	
Electrostatic discharge	ESD	Not applicable	
Insulation resistance	IR	500MΩ min	At 100V DC

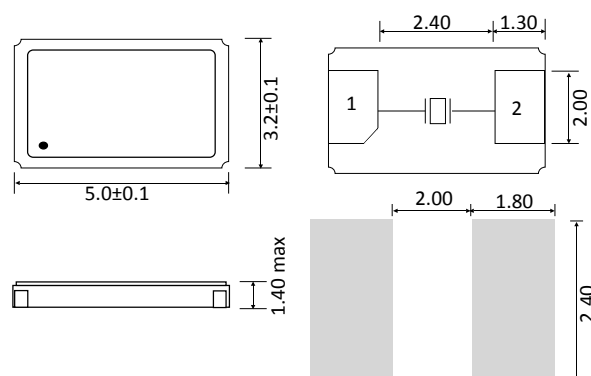
Table 1. Frequency range (MHz) vs ESR (max)

8.0MHz ~ 9.999MHz	120Ω
10.0MHz ~ 11.999MHz	80Ω
12.0MHz ~ 23.999MHz	50Ω
24.0MHz ~ 54.000MHz	30Ω
48.0MHz ~ 80.000MHz	70Ω

Table 2. Frequency Stability vs Temperature

Temp. (°C)	Stability in ppm				
	±10	±15	±20	±30	±50
-20°C ~ 70°C	Enquire	Enquire	Enquire	✓	✓
-30°C ~ 85°C	Enquire	Enquire	Enquire	✓	✓
-40°C ~ 85°C	Enquire	Enquire	Enquire	✓	✓

Dimensions (mm)



Part number generation

RA	2700	G	K	L	GO	F	L	-PF
ACT Series Code	Frequency (MHz)	Frequency Tolerance (±ppm)	Frequency stability over temperature range (±ppm)	Operating Temperature Range (°C)	Load capacitance (CL -pF)	Frequency mode	Packaging (Tape & Reel)	RoHS
RA	8MHz = 0800 27MHz = 2700  Note: Use the first 4 characters of the frequency in Hz i.e. 27MHz = 27000000Hz  If the frequency is 100MHz or higher then the first 5 characters are used	±10 = E ±15 = F ±20 = G ±30 = I ±50 = L ±100 = N	±10 = F ±15 = G ±20 = I ±30 = K ±50 = O ±100 = V	-10 ~ +60 = E -20 ~ +70 = G -30 ~ +85 = L -40 ~ +85 = M	8 = GO 9 = JO 10 = KO 12 = OO 13 = YO 14 = ZO 16 = RO 18 = TO 20 = VO 22 = WO 30 = DA Series = SR	Fundamental = F 3 <sup>rd</sup> Overtone = A	Loose = L 1000pcs = C	RoHS = -pF

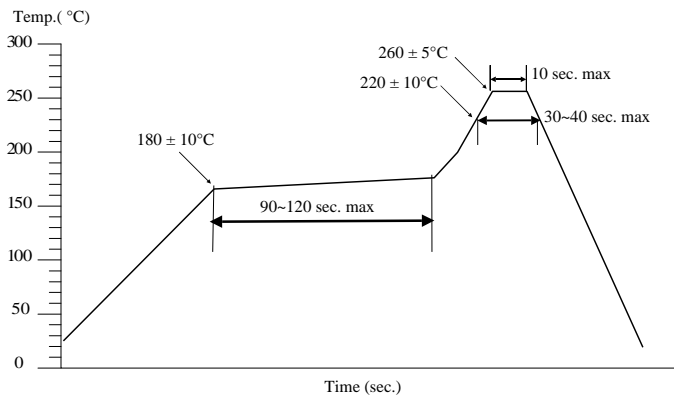
Note: It is important to suffix the above part number with full frequency required to give a completed part number as illustrated below.  
 Full Example Part Number : RA0800GKLGOF-L-PF [8.000MHz], RA2700GKLGOF-L-PF [27.000MHz], RA2457GKLGOF-L-PF [24.576MHz]

# 533 SMX-2 Series

5.0 x 3.2mm Crystal unit



## Solder Reflow Profile



## Additional information

Drawing control: (Internal use only)  
Commodity code: 854160 00 00  
Issue number: N1  
Date: 1/02/2017  
Internal reference: H2