



CRYSTAL UNIT

GX-70502, GX-70504

Applications

- Cordless Telephones / Facsimile / Computer Clocks

Features

- Dimensions (7.0×5.0×1.4)
- Ceramic SMD Package
- Glass Sealed
- Tight Tolerance and Stability
- Reflow Soldering / Emboss Taping
- Compliant products with AEC-Q200

Specifications



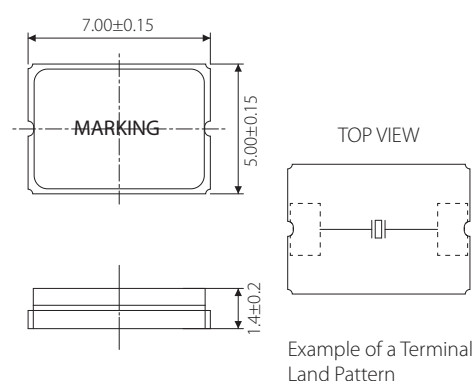
| Model | GX-70502, GX-70504 | |
|---|---|--|
| Nominal frequency range | 6.000~54.000 MHz | 30.000~70.000 MHz |
| Crystal cut | Fundamental [AT-cut] | 3rd overtone [AT-cut] |
| Storage temperature range | -40~+90°C; -40~+125°C (For AEC-Q200) | |
| Operating temperature range | -10~+70°C, -40~+85°C | |
| Frequency temperature characteristics (Ref. to +25°C) | ±30×10 ⁻⁶ (-10~+70°C), ±50×10 ⁻⁶ , ±100×10 ⁻⁶ | |
| Frequency tolerance (at +25°C) | ±30×10 ⁻⁶ , ±50×10 ⁻⁶ | |
| Equivalent series resistance | 100Ω: 6.000~6.999 MHz 80Ω: 7.000~9.999 MHz 60Ω: 10.000~15.999 MHz 50Ω: 16.000~54.000 MHz | 80Ω: 30.000~44.999 MHz 70Ω: 50.000~59.999 MHz 60Ω: 60.000~70.000 MHz |
| Load capacitance | series, 10pF, 12pF, 16pF, 18pF, 20pF | |
| Shunt capacitance | 5pF max. | |
| Level of drive | 10 μW (100 μW max.) | |

Package quantity: 1,000pcs max./Reel.

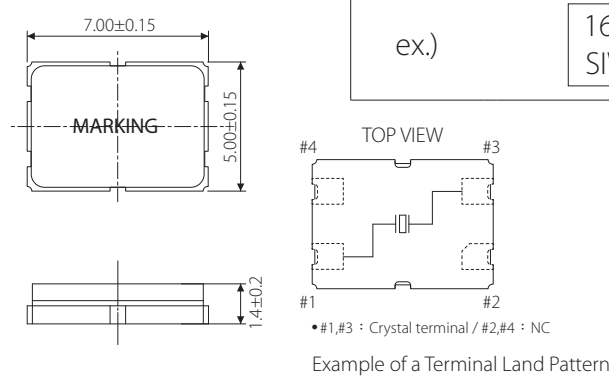
The product is suitable for Car multimedia, Car accessory application.

Outline and Dimensions [unit:mm]

GX-70502



GX-70504



| Maximum marking length | | Marking |
|------------------------|-------|-------------------|
| line1 | line2 | |
| 7 | 7 | Laser |
| ex.) | | 16. 0GA SIWARD |