

4.5 x 2.0 x 1.2 mm INDUSTRIAL GRADE CERAMIC RESONATOR

AWSZT-CR

RoHS/RoHS II Compliant

Pb in ceramic, exemption (7c-I)



4.5 x 2.0 x 1.2 mm

FEATURES:

- Low resonant impedance
- IR reflow capable
- Low cost

APPLICATIONS:

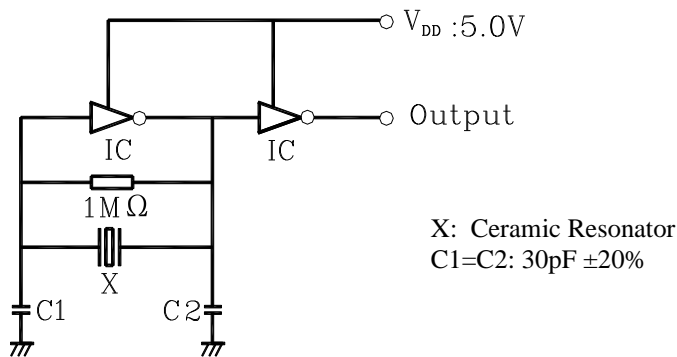
- Remote controls, Microprocessor clocks, Mobile, phones, DVD & CD-Roms, Electric appliances, Industrial controllers
- Consumer electronics

ELECTRICAL CHARACTERISTICS:

Parameters	Minimum	Typical	Maximum	Units	Notes
Frequency Range	4.00		8.00	MHz	
Resonant Impedance (Ro)			40	Ω	
Load Capacitance (C1=C2, for test circuit)	24	30	36	pF	
Frequency Tolerance @25 °C	-0.5		+0.5	%	
Frequency Stability (-25°C to +85°C)	-0.3		+0.3	%	
Withstanding Voltage		50		V	DC , 1 min
Rating Voltage	(1) D.C. Voltage		+6	V	
	(2) A.C. Voltage		15	Vp-p.	
Insulation Resistance	100			M Ω	10V, 1min
Operation Temperature	-25		+85	°C	
Storage Temperature	-55		+85	°C	
Aging Rate (Fosc) (10 years)	-0.2		+0.2	%	

TEST CONDITION AND TEST CIRCUIT:

Parts shall be measured under a condition (Temp.: 20±15°C, Humidity: 65±20% R.H.) unless the standard condition (Temp: 25±3°C, Humidity: 65±10% R.H.) is regulated to test.



AWSZT - X.XX CR - □

Frequency

Frequency in MHz

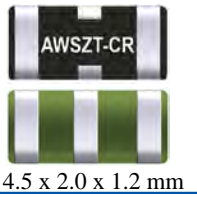
Packaging

T: 3000pcs/Reel

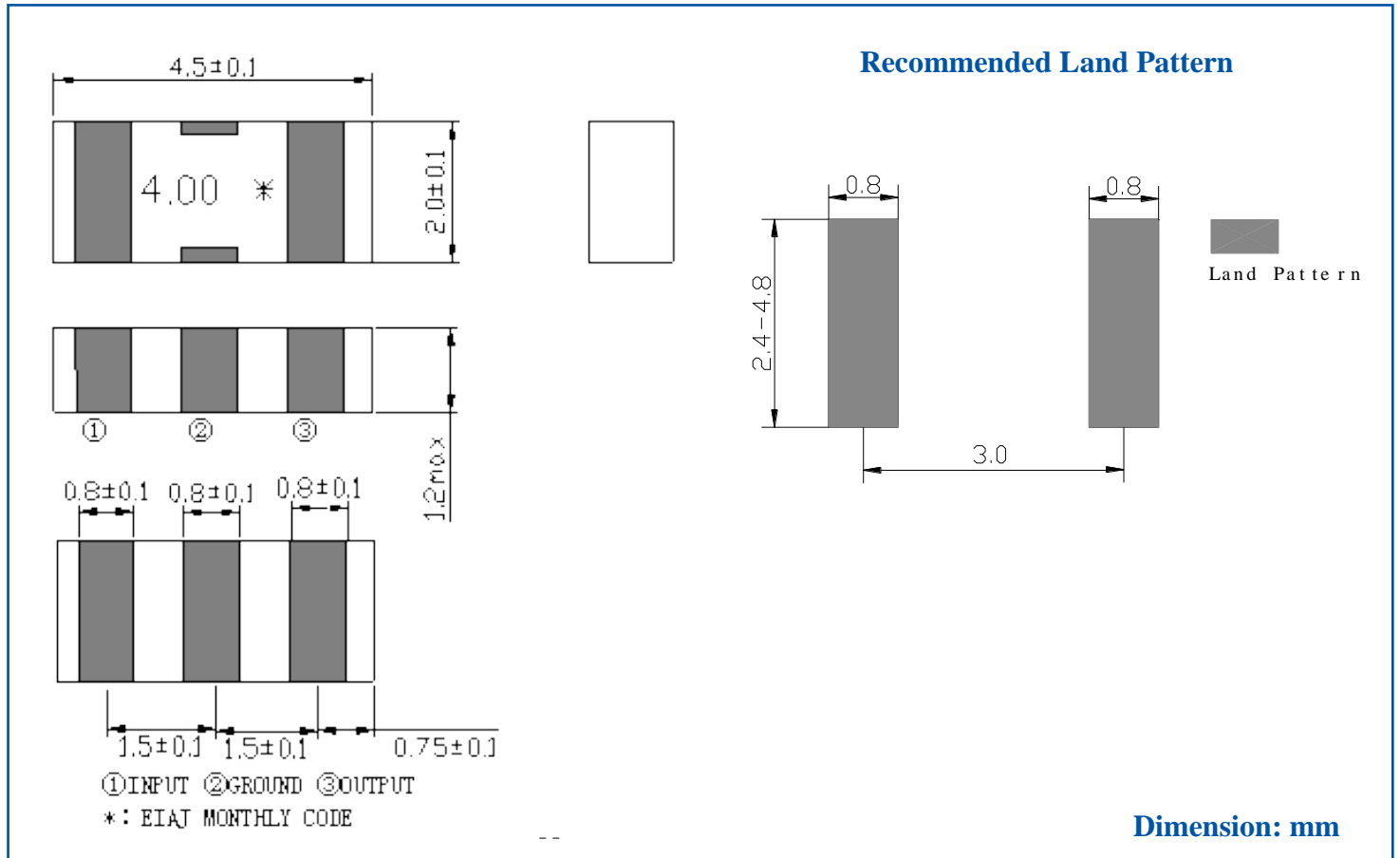
4.5 x 2.0 x 1.2 mm INDUSTRIAL GRADE CERAMIC RESONATOR

AWSZT-CR

RoHS/RoHS II Compliant
Pb in ceramic, exemption (7c-I)



OUTLINE DRAWING:



REFLOW PROFILE:

