

# LOW PROFILE LEADED INDUSTRIAL GRADE BUILT-IN CAPACITANCE CERAMIC RESONATOR



**AWCR-RS**

**RoHS/RoHS II Compliant**  
Pb in ceramic, exemption (7c-I)

## FEATURES:

- Built-in capacitors save space & components.
- Low cost timing solution.
- Small size, Light weight.

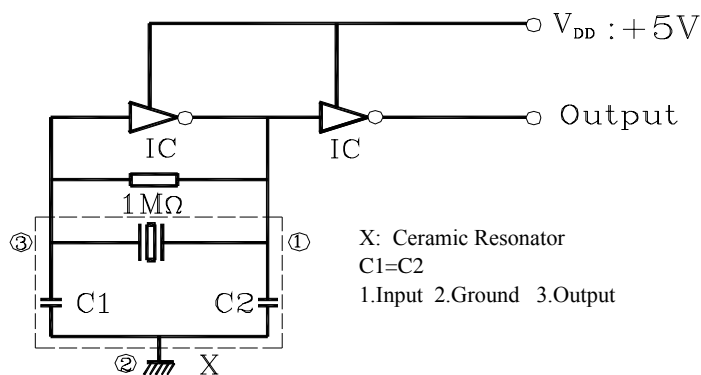
## APPLICATIONS:

- Microprocessor clocks.
- Industrial controllers.
- Electric appliances.
- General timing.
- Remote controls.

## ELECTRICAL CHARACTERISTICS:

Parameters	Minimum	Typical	Maximum	Units	Notes
Frequency Range	6.01		12.50	MHz	
Resonant Impedance (Ro)			25	$\Omega$	
Frequency Tolerance	-0.5		+0.5	%	
Frequency Stability	-0.3		+0.3	%	-25°C to +85°C
Withstanding Voltage			100	Vdc	5 secs
Rating Voltage	D.C. Voltage		6	Vdc	
	A.C. Voltage		15	Vp-p.	
Load Capacitance	12	15	18	pF	
Insulation Resistance	500			M $\Omega$	10Vdc, 1min
Operation Temperature	-25		+85	°C	
Storage Temperature	-40		+85	°C	
Aging Rate (Fosc)	-0.3		0.3	%	From initial value

## TEST CONDITION AND TEST CIRCUIT:



AWCR -  RS - C  -

**Frequency**  
Frequency in MHz

**Load Capacitance in pF**  
Contact ABRACON for  
Load Capacitance options  
if not standard

**Packaging**  
Blank: Bulk  
A: AMMO package\*  
\*AMMO package  
lead length 13.5mm

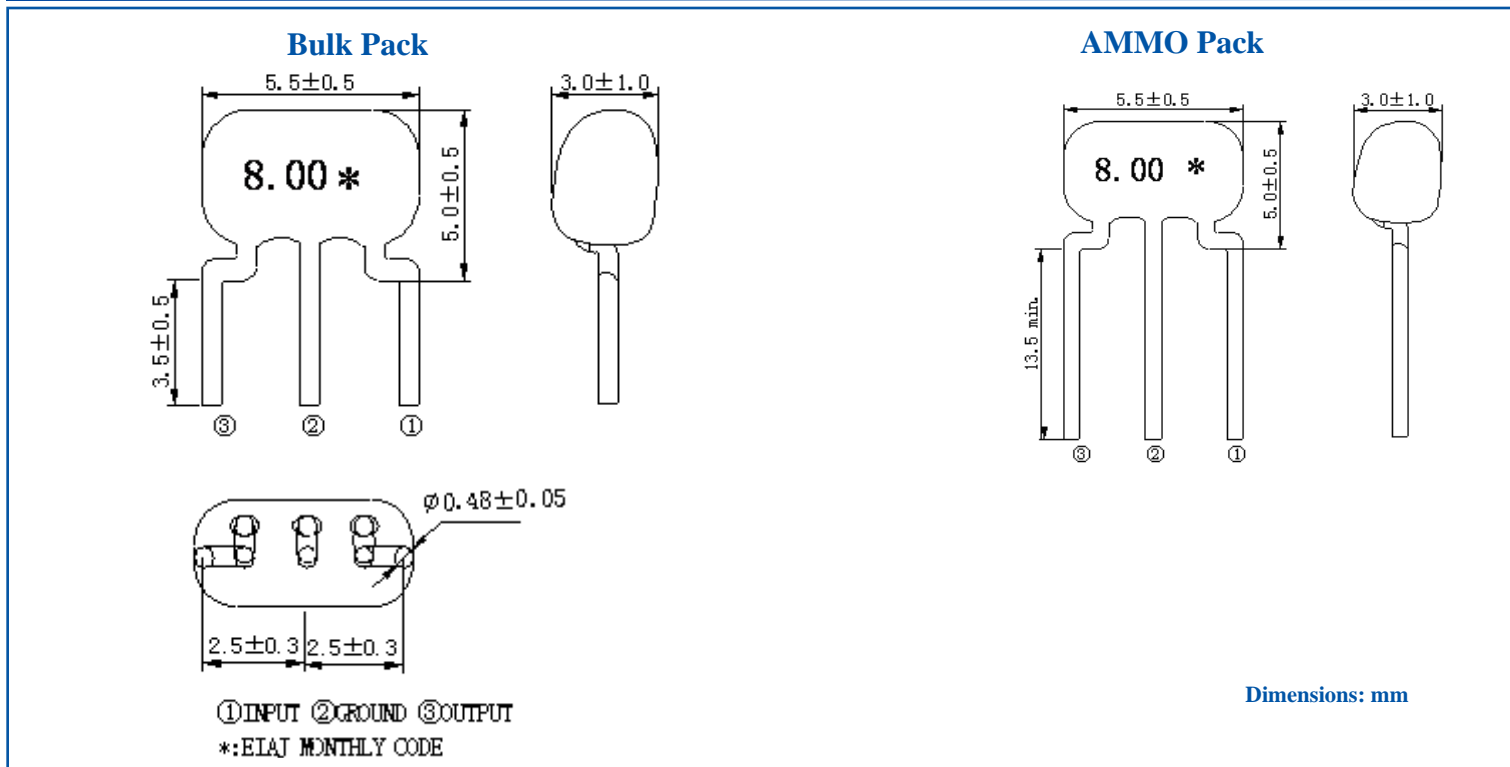
# LOW PROFILE LEADED INDUSTRIAL GRADE BUILT-IN CAPACITANCE CERAMIC RESONATOR



AWCR-RS

RoHS/RoHS II Compliant  
Pb in ceramic, exemption (7c-I)

## OUTLINE DRAWING:



### Packaging:

**Bulk:** 500pcs/plastic bag

**AMMO:** 2000pcs/box

**Note:** upon opening the original packaging, it is recommended that the product be used within 1 year. If the product will not be used within 1 year, it is recommended that the product be re-sealed in airtight packaging according to MSL 1 requirements to maintain solderability.

## CAUTION

- (1) Do not apply excess mechanical stress to the component body or terminations. Do not attempt to re-form or bend the components as this will cause damage to the component.
- (2) This component is not hermetically sealed. Do not clean or wash the component.
- (3) Reflow Soldering: Do not use strong acidity flux, such as flux with chlorine content of greater than 0.2wt% during Reflow Soldering.
- (4) Do not expose the component to open flame.
- (5) This specification applies to the functionality of the component as a single unit.
- (6) Storage Conditions: If the product is to be stored for a period greater than 1 year after the Delivery Date, it is recommended that customers confirm the solderability and characteristics for the product prior to use.
- (7) This product is not recommended for use in the following applications: Automotive, Medical, Military, Safety, or any other high-reliability life dependant applications. Contact Abracon Corporation prior to using this product when in doubt.