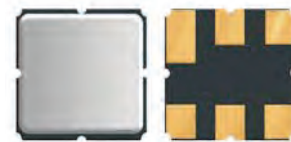


# 303.875MHz SMD One Port SAW Resonator

ASR303.875A01-SE



RoHS  
Compliant



5.0 x 5.0 x 1.5mm

## FEATURES:

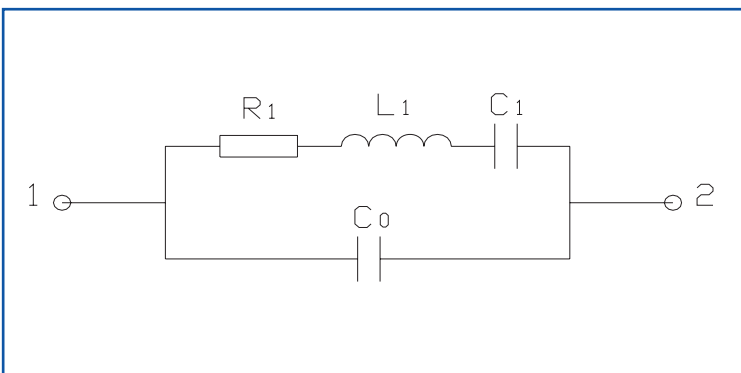
- Low insertion loss 2.5dB max
- 5.0 x 5.0 x 1.5mm package
- 50Ω impedance termination
- Suitable for RoHS compliant reflow

## APPLICATIONS:

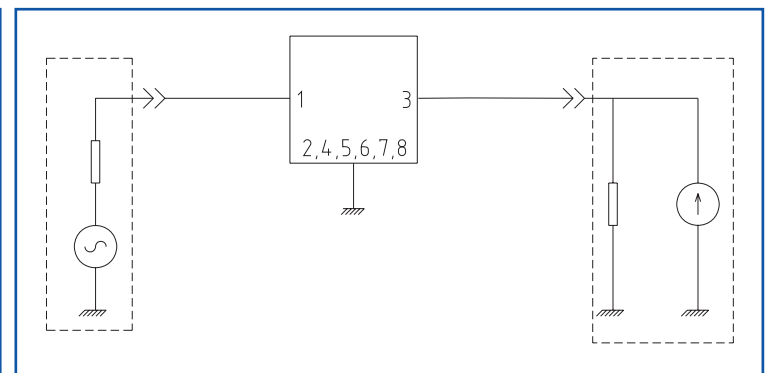
- Wireless remote controller
- Mobile communication

Parameters	Minimum	Typical	Maximum	Units	Notes
Center Frequency ( $f_0$ )	303.800	303.875	303.950	MHz	
Insertion Loss	-----	1.5	2.5	dB	
Quality Factor	-----	12,000	-----		Unloaded Q
	-----	2,000	-----		50Ω loaded Q
Turnover Temperature	15	25	30	°C	
Freq. Temp. Coefficient	-----	0.032	-----	ppm/°C	
Frequency Aging		<±10		ppm/yr	
DC Insulation Resistance	1.0	-----	-----	MΩ	
Motional Resistance R1	-----	12	19	Ω	
Motional Inductance L1	-----	94	-----	uH	
Motional Capacitance C1	-----	29	-----	fF	
Shunt Static Capacitance C0	2.7	3.0	3.3	pF	
Operation Temperature Range	-40	-----	+80	°C	
Storage Temperature Range	-45	-----	+85	°C	
DC Voltage	-----	-----	10	Vdc	
Source Power	-----	-----	0	dBm	

## EQUIVALENT LC MODEL



## TEST CIRCUIT

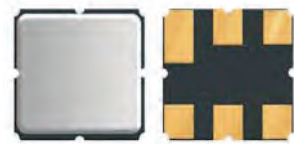


# ASR303.875A01-SE SMD One Port SAW Resonator

ASR303.875A01-SE

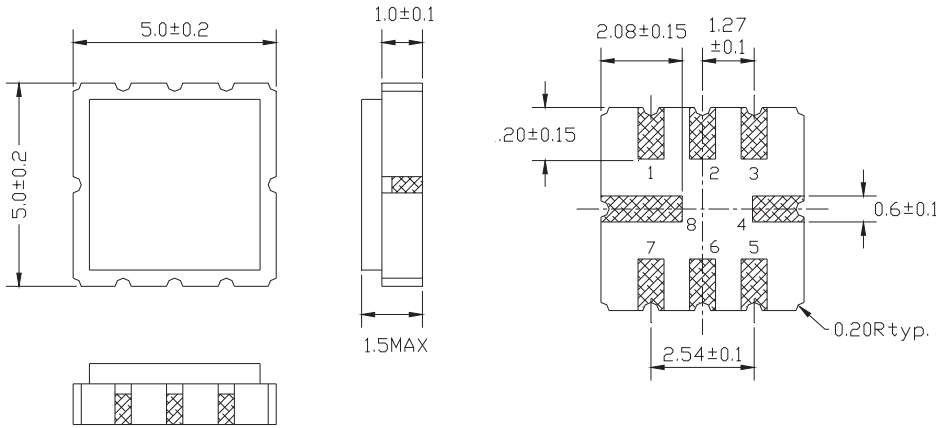


RoHS  
Compliant



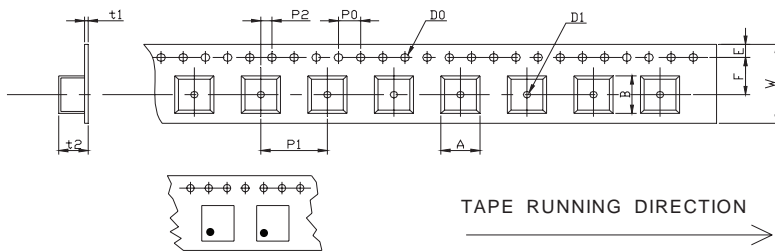
5.0 x 5.0 x 1.5mm

## OUTLINE DIMENSIONS:

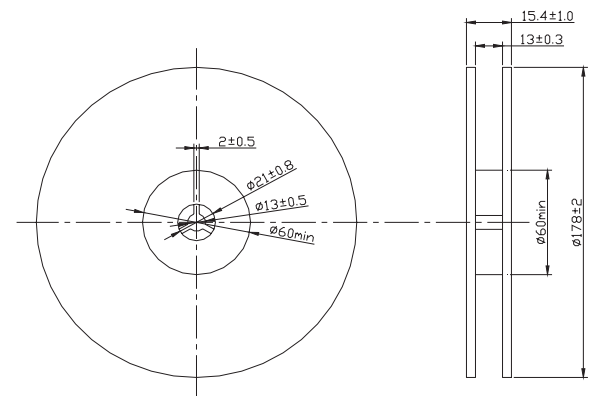


Pin No.	Function
Pin 1	Input
Pin 3	Output
Other	Ground

## TAPE AND REEL: 1,000pcs/reel



W	F	E	P0	P1	P2	D0	D1	t1	t2	A	B
12.0	5.5	1.75	4.0	8.0	2.0	Φ1.5	Φ1.5	0.31	1.95	5.5	5.5
±0.3	±0.1	±0.1	±0.2	±0.1	±0.2	±0.1	±0.25	max.	max.	max.	max.



Dimensions: mm

## REFLOW PROFILE:

