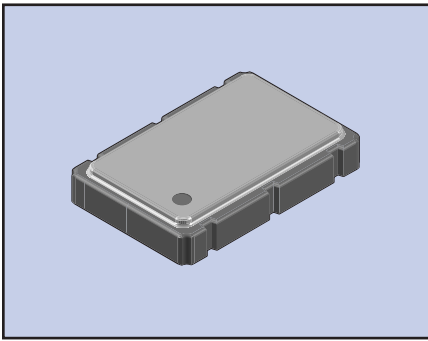


# ECS-VXO-73/VXO-75 SERIES SMD VCXO'S



The ECS-VXO-73 (3.3V) and ECS-VXO-75 (5.0V) are miniature VCXO'S voltage controlled crystal oscillators with tri-state in a ceramic SMD package. The low profile package is ideal for todays advanced portable PC and instrumentation applications.

## FEATURES

- 3.3V & 5.0V versions
- 1.6 mm profile
- Low power consumption
- Tri-State
- Seam welded package
- Tape & Reel (1,000 pcs STD)
- PbFree/RoHS Compliant

## PART NUMBERING GUIDE

SERIES	FREQUENCY (27.0 MHz)
ECS-VXO-73	270

Sample Part Number: ECS-VXO-73-270. 3.3V. 27.000 MHz VCXO

## OPERATING CONDITIONS/ELECTRICAL CHARACTERISTICS

PARAMETERS	CONDITIONS	ECS-VXO-73 (3.3V)			ECS-VXO-75 (5.0V)			UNITS
		MIN	TYP	MAX	MIN	TYP	MAX	
FREQUENCY RANGE		3.000		77.760	3.000		77.760	MHz
TEMPERATURE RANGE	Operating	-10		+70	-10		+70	°C
	Storage	-40		+85	-40		+85	°C
SUPPLY VOLTAGE	+3.14	+3.3	+3.465	+4.75	+5.0	+5.25	V DC	
FREQUENCY STABILITY*	All Conditions			±50			±50	PPM
FREQUENCY PULLING RANGE		±90			±100			PPM
CONTROL VOLTAGE		0	+1.65	+3.3	+0.5	+2.5	+4.5	V DC
FREQUENCY LINEARITY	Positive Slope			±15			±10	%
INPUT CURRENT	No Load			20			40	mA
OUTPUT SYMMETRY	@ 1/2 VCC Level	40/60		60/40	40/60		60/40	%
RISE AND FALL TIMES				5			5	ns
LOGIC "0" LEVEL				10% Vcc			10% Vcc	V DC
LOGIC "1" LEVEL		90% Vcc			90% Vcc			V DC
LOAD	CMOS			15			15	pF
START-UP TIME				10			10	ms
MODULATION BANDWIDTH	(-3 dB)	10			10			KHz
DISABLE TIME				100			100	ns

## PACKAGE DIMENSIONS (mm)

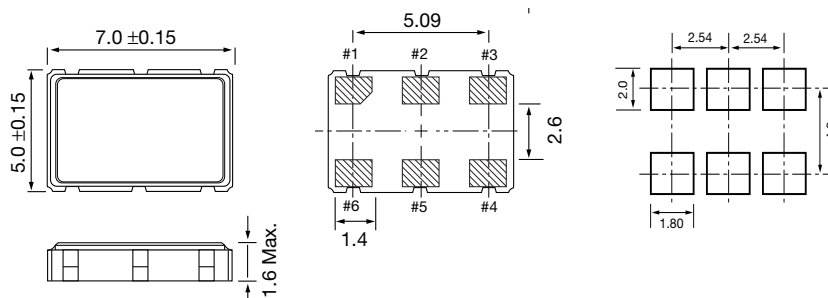


Figure 1) ECS-VXO-73/VXO-75 Top and Side view

Figure 2) Land Pattern

PIN CONNECTIONS	
#1	V CONTROL
#2	TRI-STATE
#3	GND
#4	OUTPUT
#5	NC
#6	VCC

ECS-VXO-73/VXO-75 TRI-STATE CONTROL VOLTAGE		
VXO-73, PAD 2	VXO-75, PAD 2	PAD 4
OPEN	OPEN	OSCILLATION
+2.2V MIN	+3.5V MIN	OSCILLATION
+0.8V MIN	+1.5V MIN	HIGH