

The VC-TXO-39SMX is a VC (Voltage Controlled) TCXO (Temperature Compensated Crystal Oscillator) featuring very tight stability over a wide temperature range. The small SMD ceramic package measures 11.4 x 9.6 x 2.3 mm. The voltage control has a tuning range of ± 12 ppm typical. The low profile package is ideal for wireless communications applications.

FEATURES

- Highly stable output
- RoHS Compliant (PB Free)
- Voltage control function
- Tape and Reel (500 pcs)

PART NUMBERING GUIDE

SERIES	FREQUENCY	STABILITY / TEMPERATURE OPTION
VC-TXO-39SM	- 128	- A

P^j mib M^oq Kr j _bo? S@*QUL*06PJU*. /5*> . /5: . /+5 J Ew) > :0. +2 mm j * / - q l (42A@

STANDARD FREQUENCIES

10.000, 13.000, 16.800 AND 19.440 MHz

OPERATING CONDITIONS/ELECTRICAL CHARACTERISTICS

PARAMETERS	CONDITIONS	VC-TXO-39SMX (3V)			UNITS
		MIN	TYP	MAX	
	\dot{A}				
	\dot{A}				
	Ω				
	\dot{A}				\dot{A}
	Ω				
	Ω				

PACKAGE DIMENSIONS (mm)

PIN CONNECTIONS	
#1	VCONTROL
#2	GND
#3	OUTPUT
#4	VCC

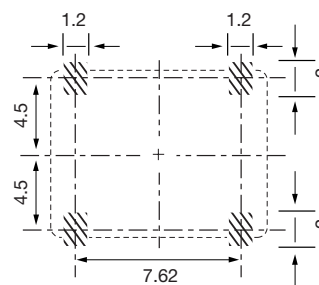
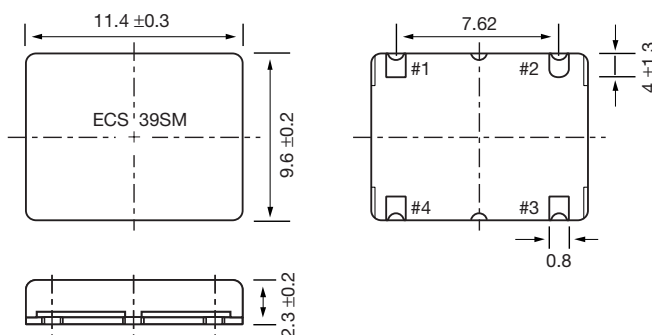


Figure 1) VC-TXO-39SMX Top, Side and Bottom views

Figure 2) Land Pattern