

- ▶ Low Profile
- ▶ Wide Frequency range
- ▶ Extended temperature range
- ▶ RoHS Compliant (Note 7 Exemption)

ZTA Series Ceramic Resonator

The ZTA Series ceramic resonator offers a wide frequency range and extended temperature range capabilities.

OPERATING CONDITIONS / ELECTRICAL CHARACTERISTICS

| PART NUMBER * | FREQUENCY RANGE (MHz) | FREQUENCY ACCURACY @ 25°C(%) | STABILITY IN TEMPERATURE -20~ +80°C (%) | AGING FOR TEN YEARS (%) | RESONANT RESISTANCE (Ω) MAX |
|---------------|-----------------------|------------------------------|---|-------------------------|-----------------------------|
| ZTA□.□□MG | 2.00 ~ 2.99 | ±0.5 | ±0.3 | ±0.3 | 80 |
| ZTA□.□□MG | 3.00 ~ 3.49 | ±0.5 | ±0.3 | ±0.3 | 50 |
| ZTA□.□□MG | 3.50 ~ 8.00 | ±0.5 | ±0.3 | ±0.3 | 30 |
| ZTA□.□□MT | 6.01 ~ 6.99 | ±0.5 | ±0.3 | ±0.3 | 30 |
| ZTA□□.□□MT | 7.00 ~ 13.00 | ±0.5 | ±0.3 | ±0.3 | 25 |
| ZTA□□.□□MX | 13.01 ~ 50.00 | ±0.5 | ±0.3 | ±0.3 | 30 |

- Withstanding voltage (5 seconds max.): 100V DC
- Insulation Resistance 100M Ω Min. (at 10 V DC)

PACKAGE DIMENSIONS (mm)

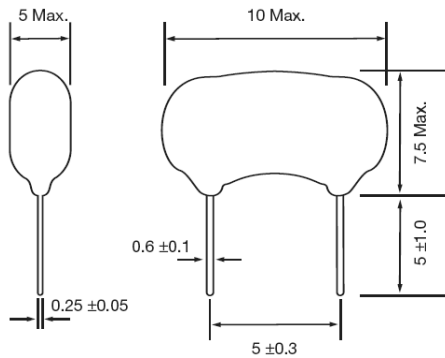


Figure 1) ZTA□.□□MG, Side and Front views

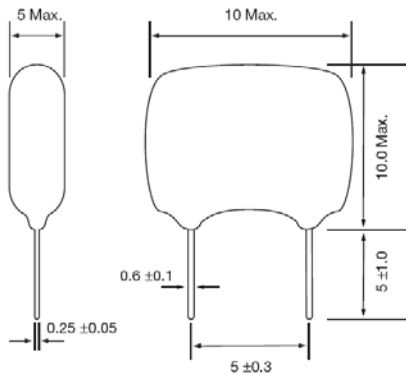


Figure 3) ZTA□.□□MT, MX Side and Front views

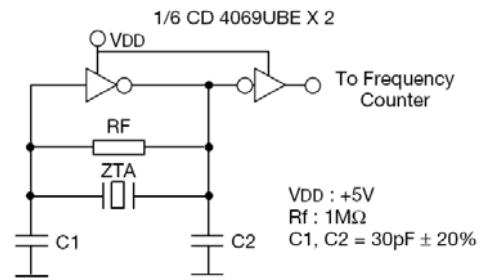


Figure 2) ZTA□.□□MG Test Circuit

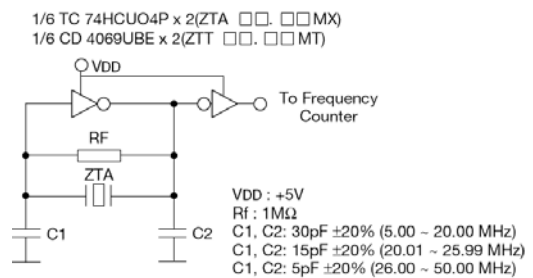
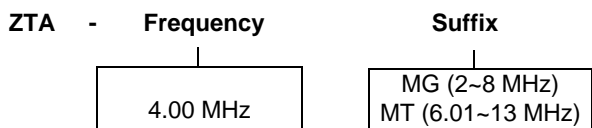


Figure 4) ZTA□.□□MT & ZTA□.□□MX Test Circuit

PART NUMBERING GUIDE: Example ZTA-4.00MG



Note: ECS does not approve the use of its products in Automotive, Military, Avionics, Life Sustaining or Life Support systems or any other