

## Features

- ▶ Ceramic package with metal lid
- ▶ Standard frequencies held in stock
- ▶ Enable / disable tristate function
- ▶ Power saving option
- ▶ Competitive pricing

## Specifications

Parameters	Product	Option Codes	
	GXO-7531		
Frequency range:	0.50 ~ 200MHz	■	
Frequency stability:	±100ppm ±50ppm ±25ppm ±20ppm	■ □ □ □	B A D
Operating temperature range:	-10 to +70°C -40 to +85°C	■ □	I
Storage temperature range:	-55 to +125°C	■	
Supply voltage (V <sub>DD</sub> ):	+3.3V (±5%)	■	
Supply current (max):	10mA (0.5 ~ 14.9MHz) 15mA (15.0 ~ 29.9MHz) 20mA (30.0 ~ 39.9MHz) 25mA (40.0 ~ 49.9MHz) 30mA (50.0 ~ 59.9MHz) 35mA (60.0 ~ 79.9MHz) 45mA (80.0 ~ 99.9MHz) 50mA (100 ~ 125MHz) 65mA (125.1 ~ 165MHz)	■ ■ ■ ■ ■ ■ ■ ■ ■ ■	
Logic levels:	'0' level = 10%V <sub>DD</sub> max '1' level = 90%V <sub>DD</sub> min	■ ■	
Start up time:	10ms max	■	
Waveform symmetry:	45:55 max 40:60 max (>50.0MHz)	■ ■	
Driving ability:	15pF CMOS (*see note)	■	
Rise / fall time:	10ns max (<40MHz) 7ns max (40.0~99.9MHz) 5ns max (>100MHz)	■ ■ ■	
Enable / disable function:	None (pad 1 not connected) Standard tristate, no power saving (E/D times 100ns / 100ns) Power-saving, standby current 10µA (E/D times 10ms / 100ns)	□ ■ □	N P

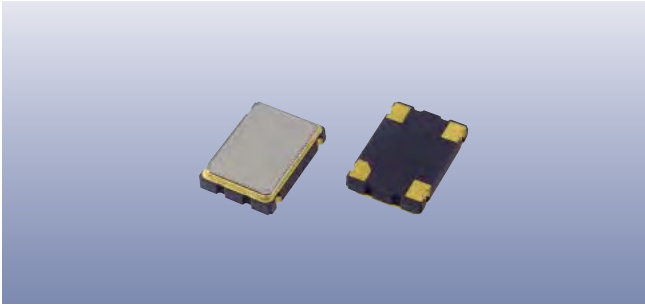
■ Standard. □ Optional - Please specify required code(s) when ordering  
\* Note: will drive up to 50pF, but figures for rise/fall and supply current may vary from those shown. For details, contact our sales office.

## Ordering Information

Product name + option codes (if any) + frequency  
eg: **GXO-7531 48.0MHz** 3.3V, ±100ppm, -10+70°C  
**GXO-7531/BIP 64.0MHz** 3.3V, ±50ppm, -40+85°C, power-saving  
Option code X (eg GXO-7531/X) denotes a custom spec.

## Enable / Disable Function

Input (pad 1)	Output (pad 3)
Open	Enabled
'1' level	Enabled
'0' level	High Impedance



## Construction

- ▮ Ceramic body with gold-plated pads
- ▮ Metal lid, seam sealed

## Composition



This product is lead-free, and is fully compliant with the RoHS 2 directive 2011/65/EU



## Packaging & Handling

Production quantities supplied on T&R, 1k pcs per reel.  
Small quantities may be supplied on tape (no reel), or in bulk.



◆ Static sensitive product. Observe proper handling precautions

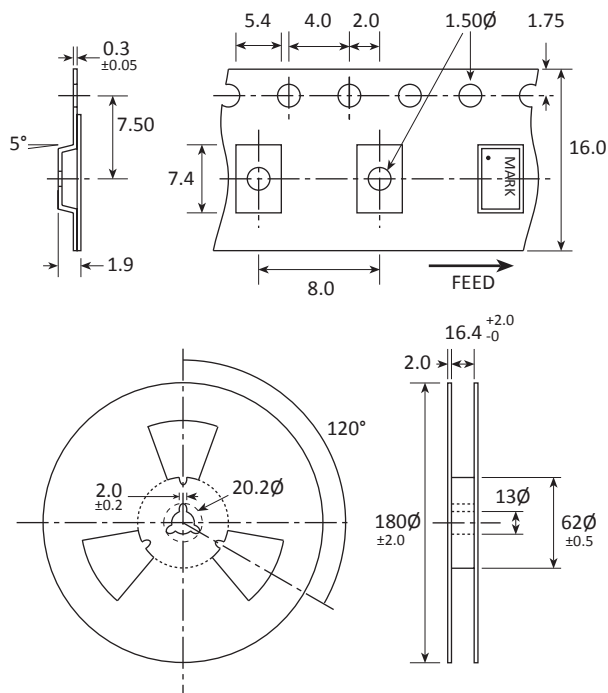
## Marking

GOLLEDGE  
FREQUENCY  
• PARTNO DC

- Pin 1
- Marking type: Laser
- DC = Date code in YM, eg "EC" = Mar 2015

	A	B	C	D	E	F	G	H	J	K	L	M
Y	1	2	3	4	5	6	7	8	9	0		
M	Jan	Feb	Mar	Apr	May	Jun	Jul	Aug	Sep	Oct	Nov	Dec

## Tape & Reel Specification



Not to scale. Dimensions in mm. Tolerances ±0.1mm unless otherwise stated.

## Soldering Profile

