

Quartz Crystal · SS2

Pin Type Crystal · 11.35 x 4.65 mm

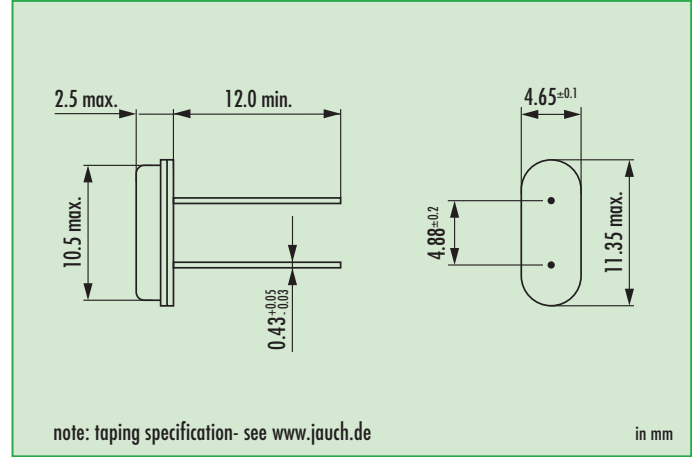
- recommended for automotive applications
- wave soldering temperature: 260 °C max.
- package height 2.5 mm max.



General Data

type	SS2	
frequency range	fund. AT-cut	4.0 ~ 33.0 MHz
	3rd OT AT-cut	ask for availability
	fund. BT-cut	ask for availability
frequency tolerance at 25 °C	± 20 ppm / ± 30 ppm / ± 50 ppm	
load capacitance C_L	12 pF ~ 32 pF or series	
shunt capacitance C_0	< 5 pF	
storage temperature	-40 °C ~ +125 °C	
shock resistance	> 100 g (half sine pulse, 0.6 ms)	
drive level max.	500 µW (100 µW recommended)	
aging	< ± 5 ppm first year	

Dimensions



Frequency Stability vs. Temperature

		± 20 ppm	± 30 ppm	± 50 ppm	± 100 ppm	± 150 ppm	+10/-100 ppm
-20 °C ~ +70 °C	STD	D	○	●			○ BT-cut
-40 °C ~ +85 °C	T1		○	○	●		
-40 °C ~ +105 °C	T2			○	○		
-40 °C ~ +125 °C	T3					○	

● standard
 ○ available
 D ask, if available

ESR (series resistance R_s)

frequency in MHz	vibration mode	ESR max. in Ω	ESR typ. in Ω
4.0 ~ 5.999	fund. AT	80	60
6.0 ~ 6.999	fund. AT	70	35
7.0 ~ 7.999	fund. AT	50	25
8.0 ~ 8.999	fund. AT	50	25
9.0 ~ 13.999	fund. AT	35	15
14.0 ~ 33.000	fund. AT	30	10
ask	3rd OT AT	(100)	(60)
ask	fund. BT	(50)	(20)

Automotive application note

- automotive quartz crystals have superior environmental performance in case of shock, vibration and temperature
- extended operating temperatures up to +125 °C
- production is certified according to: ISO 9001 / TS 16949 / ISO 14001

Order Information

Q	frequency	type	load capacitance in pF	stability at 25 °C	stability vs. temp. range	option
Quartz	4.0 ~ 33.0 MHz	SS2	12 pF ~ 32 pF S for series	30 = ± 30 ppm std 20 = ± 20 ppm 50 = ± 50 ppm	see table	blank = -20 °C ~ +70 °C T1 = -40 °C ~ +85 °C T2 = -40 °C ~ +105 °C T3 = -40 °C ~ +125 °C FU = for fundamental frequencies ≥ 20 MHz 30T = 3rd overtone (if available) BT = fundamental BT-cut (if available) TR = taped TA = taped, ammo pack KIS = insulation spacer LL = lead length in mm PT = plastic tray

Example: Q 30.0-SS2-30-30/50-FU-LF (Suffix LF = RoHS compliant / Pb free pins or pads)