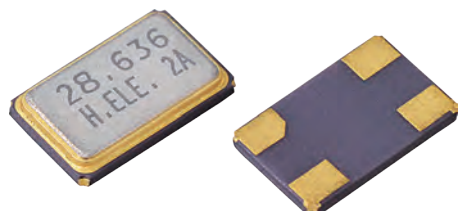


CRYSTAL RESONATOR

For Automotive Application

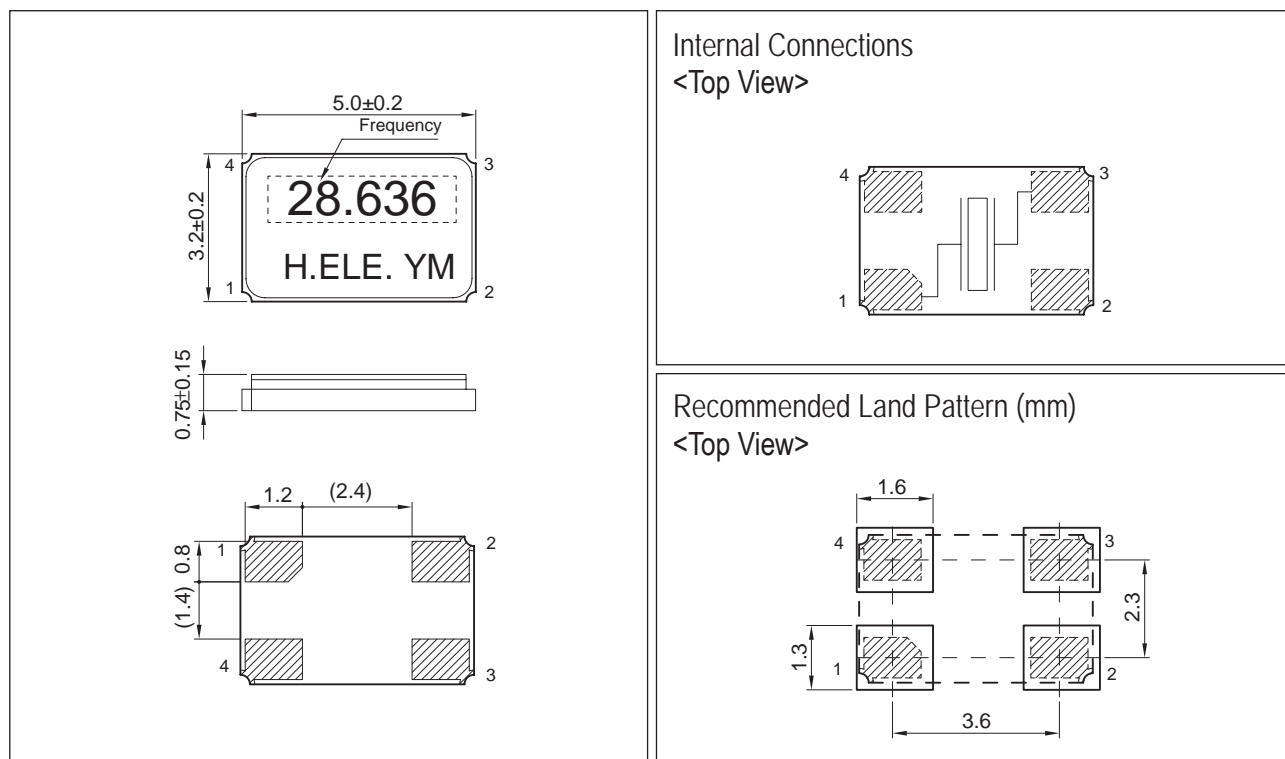
HSX531SK Series



Features:

- Excellent heat resistance, high precision and high reliability.
- Available for Automotive applications such as tire pressure sensors, smart control wireless transfer, navigation applications, GPS, and multimedia devices.
- TS16949 Certified

Dimension (mm):



Standard Specification:

ITEM	TYPE	HSX531SK			
		9.6 ~ 10 MHz	10 ~ 12 MHz	12 ~ 20 MHz	20 ~ 50 MHz
Frequency Range		9.6 ~ 10 MHz	10 ~ 12 MHz	12 ~ 20 MHz	20 ~ 50 MHz
Mode		Fundamental			
Frequency Tolerance		±10ppm , ±20ppm , ±30ppm (at. 25°C)			
Frequency Stability over Operating Temperature Range		±20ppm, or Specify			
Operating Temperature		-40 ~ +85 °C , or Specify			
Load Capacitance		Series, 8pF, 10pF, 12pF, 16pF or Specify			
Drive Level		10μW (300μW Max.)			
Equivalent Series Resistance		150Ω Max.	100Ω Max.	50Ω Max.	40Ω Max.
Storage Temp. Range		-40 ~ +125°C			

*Packing Unit: 1,000pcs/Reel.