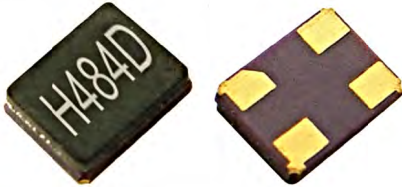


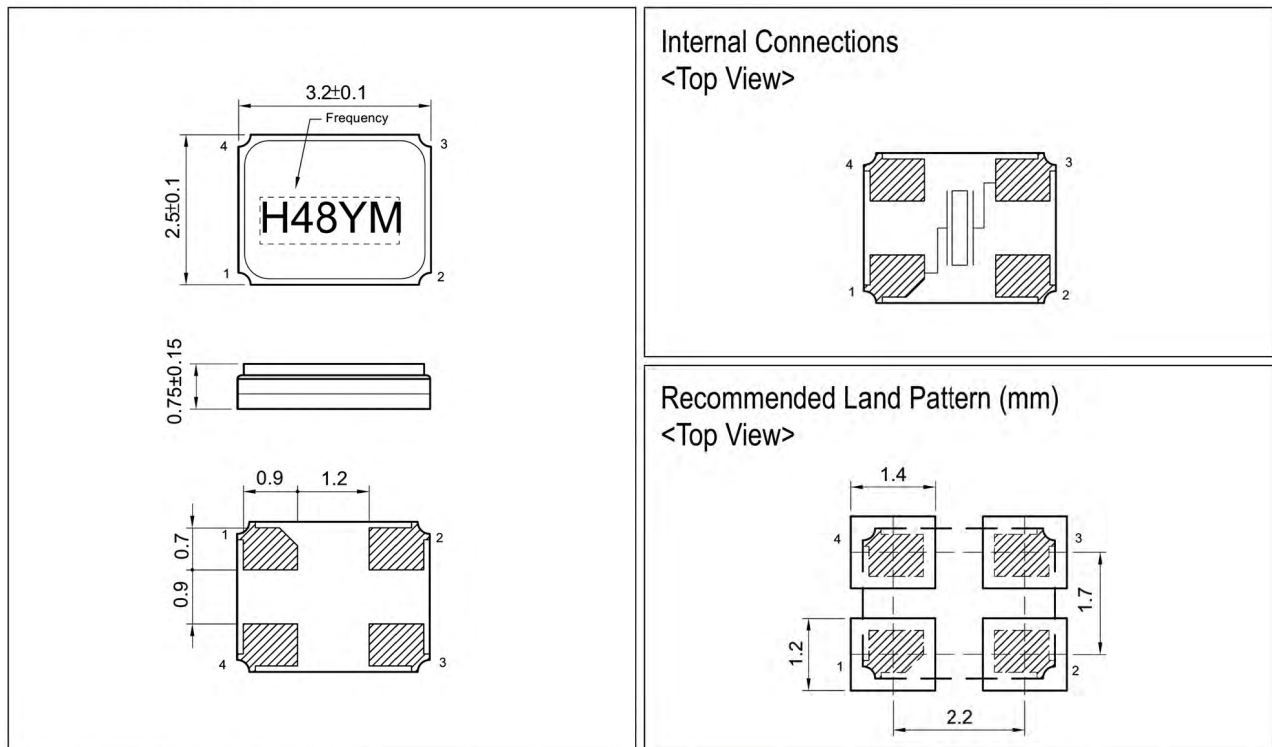
CRYSTAL RESONATOR

Glass Sealing Package

HSX321G Series



Dimension (mm):



Standard Specification:

ITEM	TYPE	HSX321G			
		10MHz	12~20MHz	20~28MHz	28~50MHz
Frequency Range		10MHz	12~20MHz	20~28MHz	28~50MHz
Mode		Fundamental			
Frequency Tolerance		±10ppm ~ ±50ppm (at. 25°C)			
Frequency Stability over Operating Temperature Range		±10ppm, ±15ppm, ±20ppm, or Specify			
Operating Temperature		-10 ~ +60°C , or Specify			
Load Capacitance		Series, 8pF, 10pF, 12pF, or Specify			
Drive Level		10μW (100μW Max.)			
Equivalent Series Resistance		120ΩMax.	80ΩMax.	60ΩMax.	50ΩMax.
Storage Temp. Range		-40 ~ +125°C			

*Packing Unit: 3,000pcs/Reel.