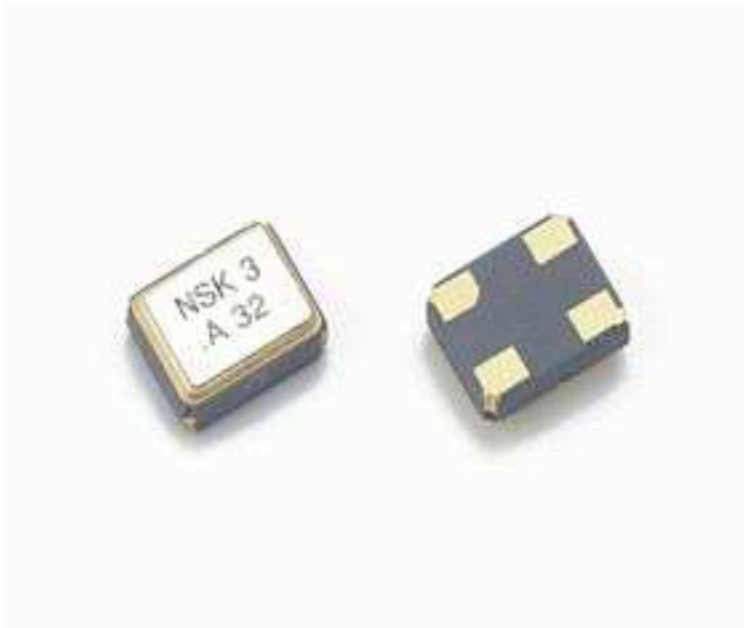


OSCILLATORS SMD TYPE CERAMIC (3.2 x 2.5)



Application of SMD

OSC:

- PCMCIA Card
- CCD
- Portable PC
- Wireless Lan



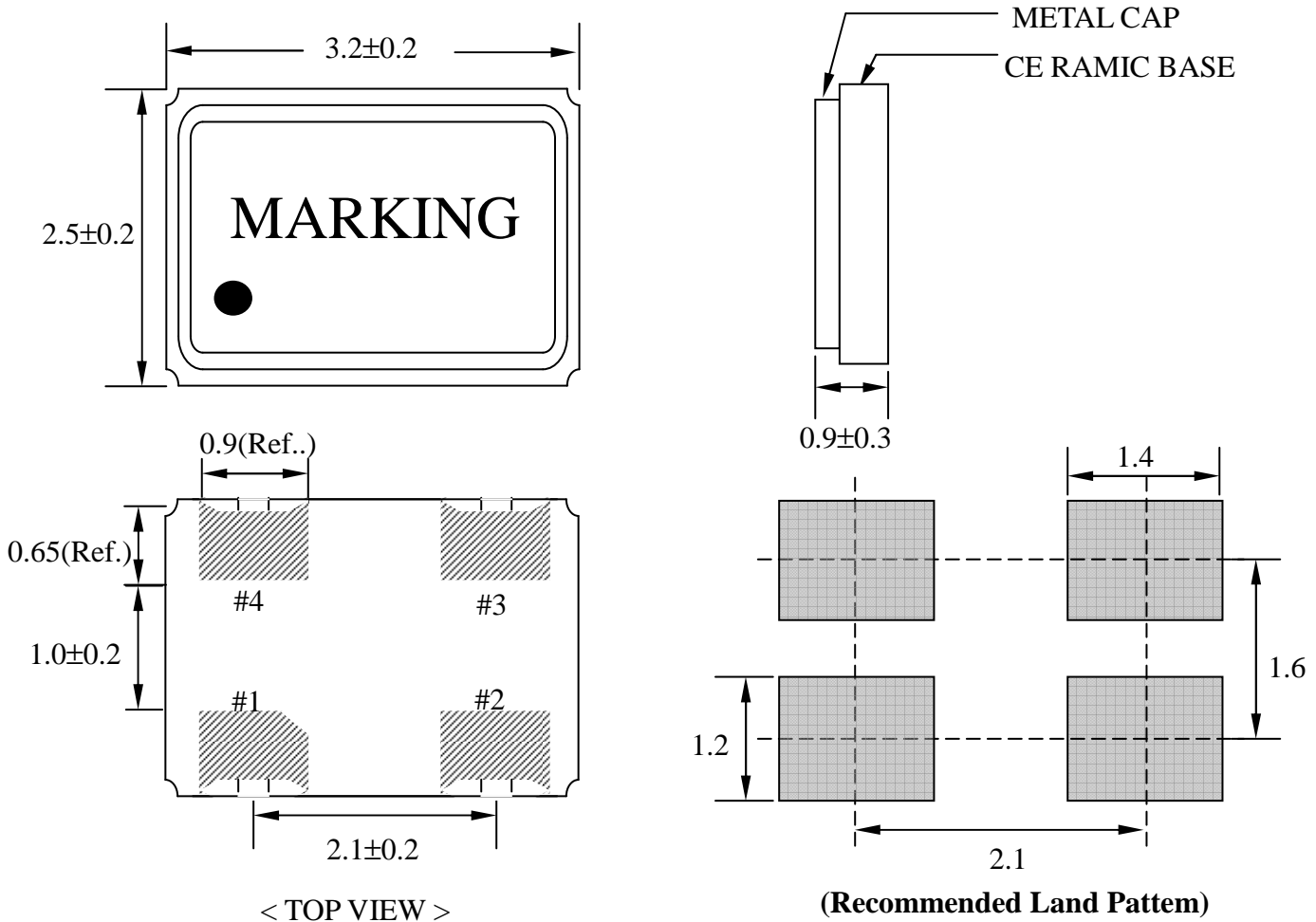
{ Features }

Seam welding
Excellent solderability

Electrical Specification:

Model		NAOK		
Frequency Range	KHz	32.768		
Oscillation Mode		Fundamental		
Output Type		CMOS		
Output Load	pF	15		
Frequency Stability	ppm	A:±100 B:±50 C: ±30 D: ±25		
Operating Temp Range	°C	-20 ~ 70 , or specify		
Storage Temp Range	°C	-55 ~ 125		
Power Supply Voltage	VDC	3.3V±10%	2.5V±5%	1.8V±5%
Voltage Vol / Voh		10% VDD (Max) / 90% VDD (Min)		
Output Symmetry		40% ~ 60% or 45% ~ 55%(at 55%V DC)		
Tri-state Voltage Vol / Voh		0.3 VDD / 0.7 VDD		
Start Time	mS	10		
INPUT CURRENT	mA	3 (Max)		
Rise and Fall Time	nS max	200		

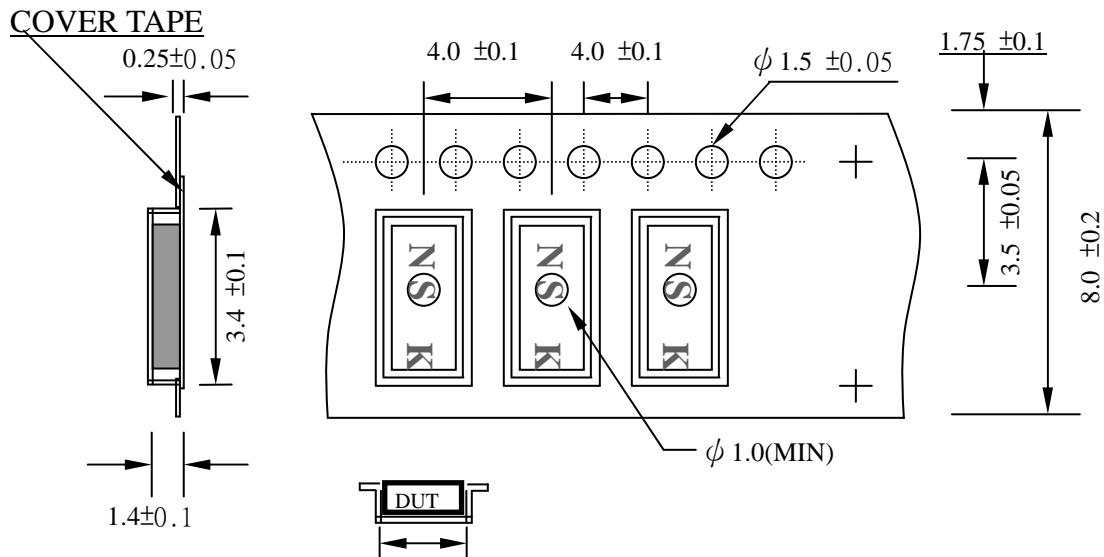
Dimensions (mm):



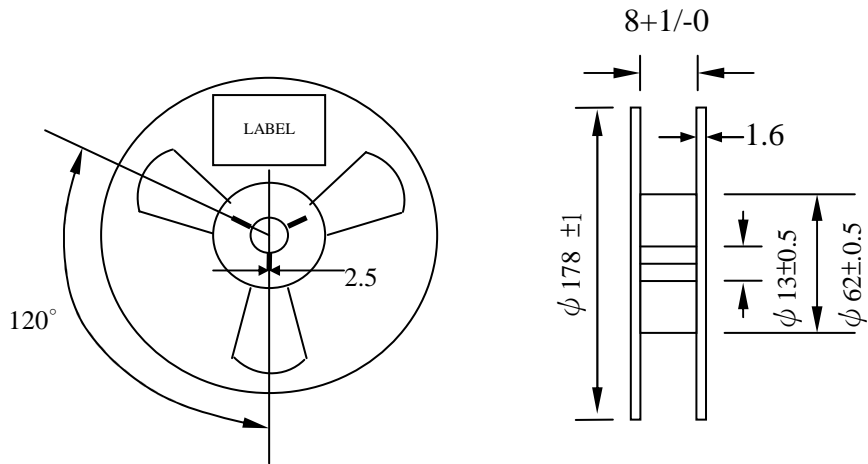
#1: ENABLE / DISABLE FUNTION

INH (PIN 1)	→	OUTPUT (PIN 3)	# NO.: define	
High (OPEN)	→	Operating	#4: VDD	#3: OUTPUT
LOW	→	High impedance	#1: E/D	#2: GND

Dimensions (mm):



Dimensions (mm):



TOLERANCE : ± 0.2 (mm)

Reflow Temperature Profile:

