

OSCILLATORS SMD TYPE CERAMIC (5 x 3.2)



Application of SMD OSC:

- PCMCIA Card
- CCD
- Portable PC
- Wireless Lan



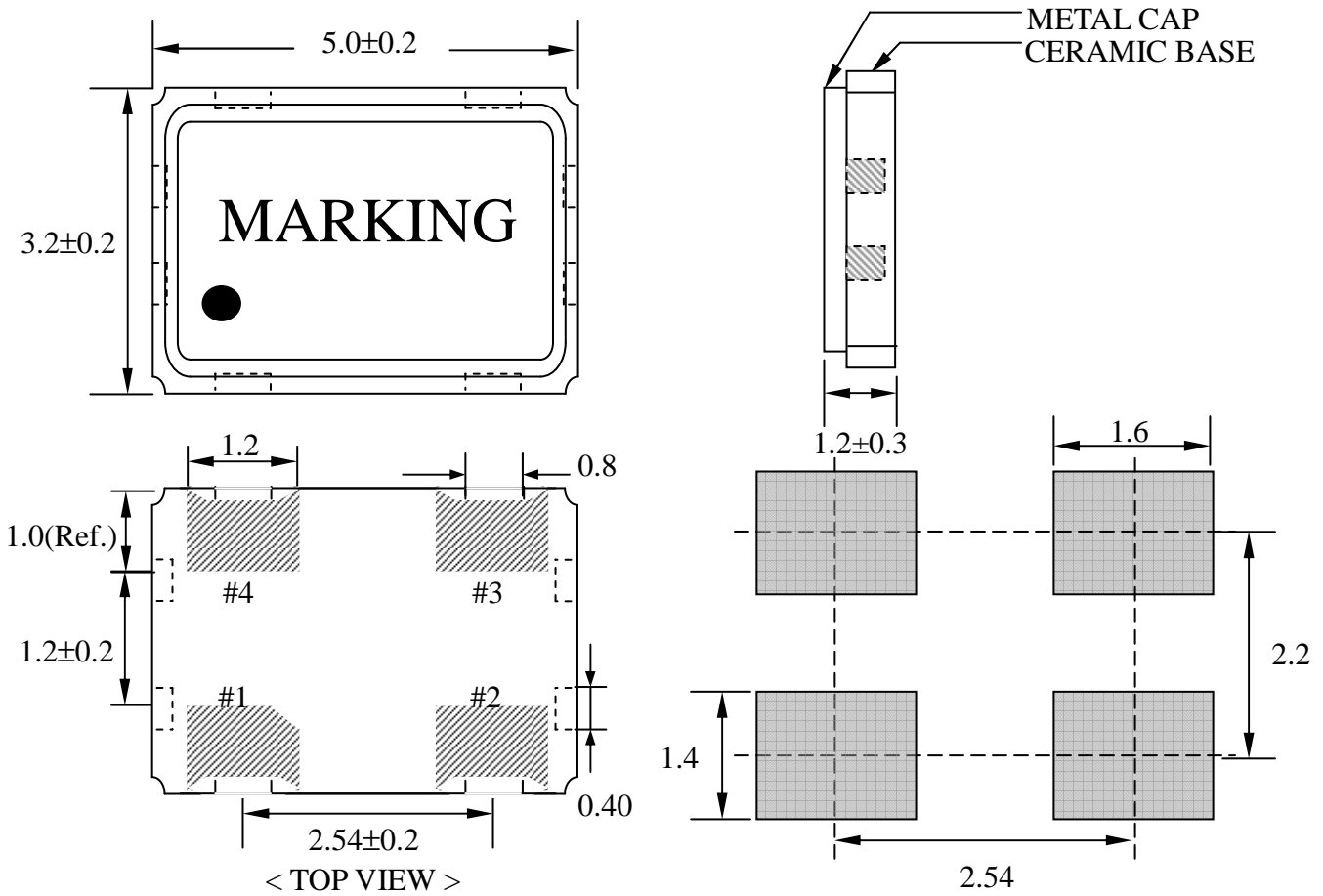
{ Features }

Seam welding
Excellent solderability

Electrical Specification:

| Model | | NAOH | | |
|-----------------------------|--------|-------------------------------------|---------|---------|
| Frequency Range | KHz | 32.768 | | |
| Oscillation Mode | | Fundamental | | |
| Output Type | | CMOS | | |
| Output Load | pF | 15 | | |
| Frequency Stability | ppm | A:±100 B:±50 C: ±30 D: ±25 | | |
| Operating Temp Range | °C | -20 ~ 70 , or specify | | |
| Storage Temp Range | °C | -55 ~ 125 | | |
| Power Supply Voltage | VDC | 3.3V±10% | 2.5V±5% | 1.8V±5% |
| Voltage Vol / Voh | | 10% VDD (Max) / 90% VDD (Min) | | |
| Output Symmetry | | 40% ~ 60% or 45% ~ 55%(at 55% V DC) | | |
| Tri-state Voltage Vol / Voh | | 0.3 VDD / 0.7 VDD | | |
| Start Time | mS | 10 | | |
| INPUT CURRENT | mA | 3 (Max) | | |
| Rise and Fall Time | nS max | 200 | | |

Dimensions (mm):

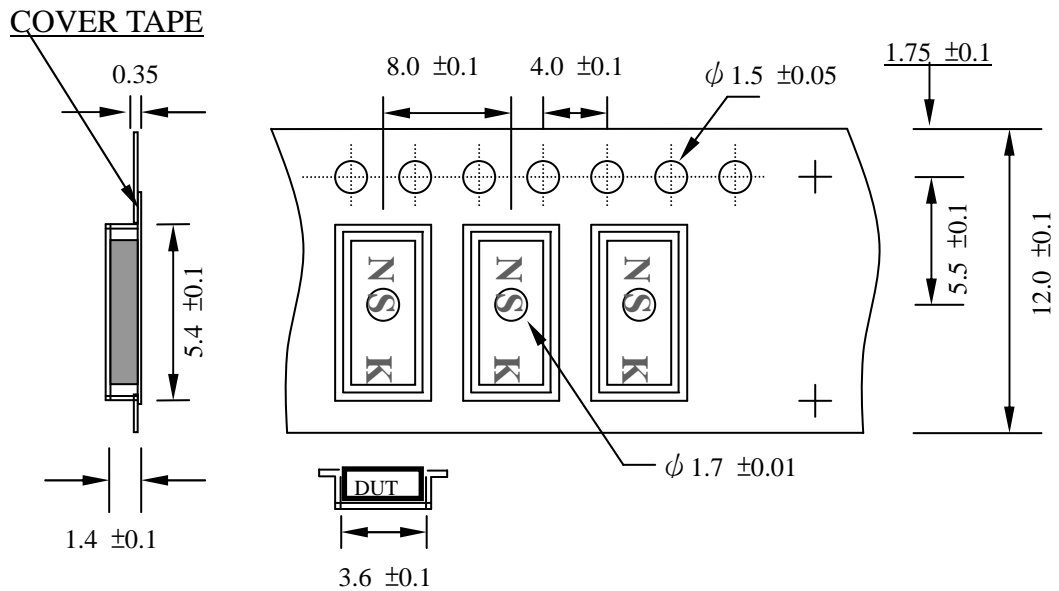


#1: ENABLE / DISABLE FUNTION

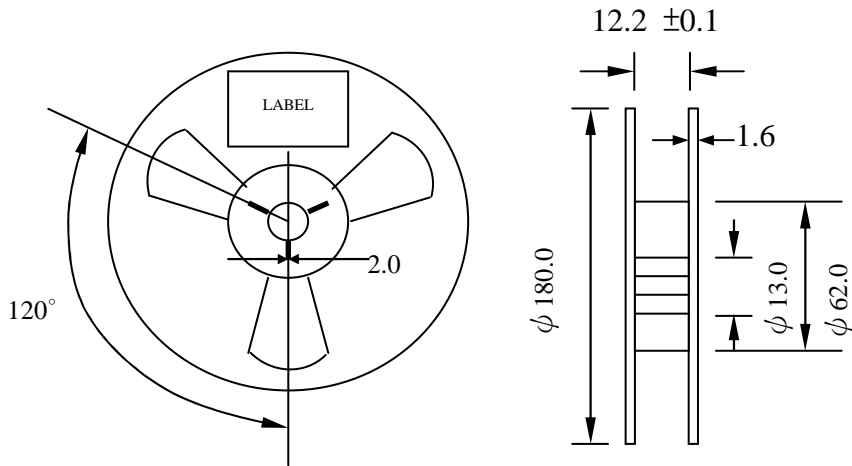
(Recommended Land Pattem)

| | | | |
|-------------|---|----------------|--------------------|
| INH (PIN 1) | → | OUTPUT (PIN 3) | # NO.: define |
| High (OPEN) | → | Operating | #4: VDD #3: OUTPUT |
| LOW | → | High impedance | #1: E/D #2: GND |

Dimensions (mm):



Dimensions (mm):



TOLERANCE : ±0.2(mm)

Reflow Temperature Profile:

