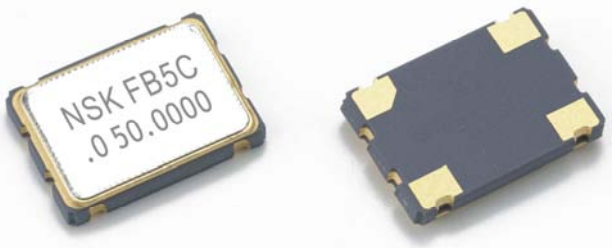


OSCILLATORS SMD TYPE CERAMIC (7 x 5)



Application of SMD OSC:

- PCMCIA Card
- CCD
- Portable PC
- Wireless Lan

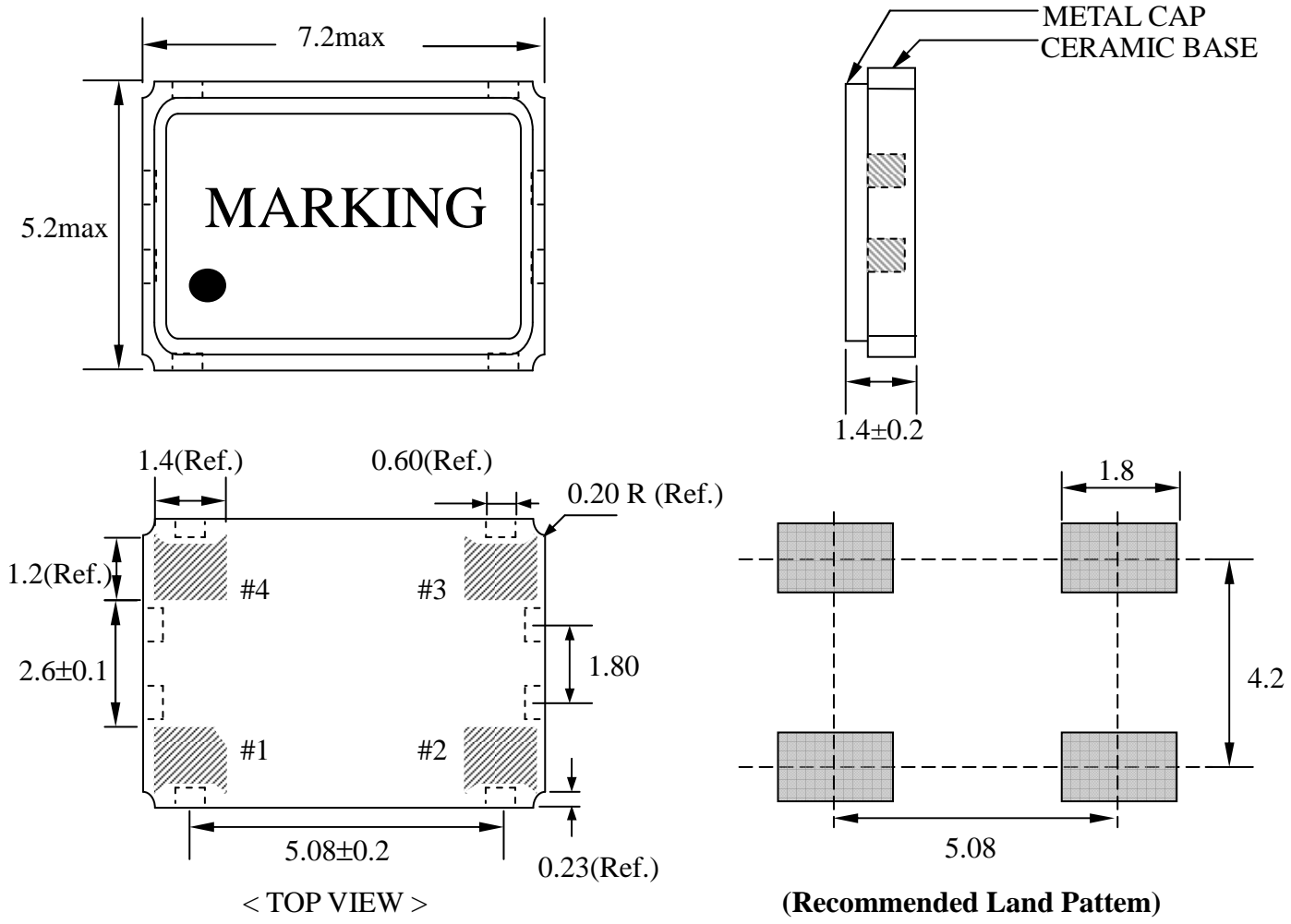


{Features}
 Seam welding
 Excellent solderability

Electrical Specification:

| Model | | NAOD 75 | | | | |
|---------------------------|--------|-------------------------------------|----------|---------|---------|---------|
| Frequency Range | MHz | 1.0 ~ 125.0 | | | | |
| Frequency Stability | PPM | A:±100 B:±50 C: ±30 D: ±25 | | | | |
| Environmental Condition | | | | | | |
| Operating Temp Range | °C | 0 ~ 70 , -40 ~ 85 | | | | |
| Storage Temp Range | | -55 ~ 125 | | | | |
| Power Supply Voltage | V DC | 5.0V±10% | 3.3V±10% | 2.8V±5% | 2.5V±5% | 1.8V±5% |
| Output Level | | CMOS | | | | |
| Output Symmetry | % | 40% ~ 60% or 45% ~ 55%(at 55% V DC) | | | | |
| Input Current | | | | | | |
| 1.0 ~ 9.99 MHz | mA max | 20 | 7 | 6 | 6 | 5 |
| 10.0 ~ 19.99 MHz | | 20 | 7 | 8 | 8 | 6 |
| 20.0 ~ 31.99 MHz | | 25 | 12 | 8 | 8 | 6 |
| 32.0 ~ 49.99 MHz | | 35 | 20 | 20 | 20 | 15 |
| 50.0 ~ 79.99 MHz | | 50 | 25 | 20 | 20 | 15 |
| 80.0 ~ 99.99 MHz | | 60 | 30 | | 25 | 20 |
| 100.0 ~ 125.0 MHz | | 80 | 40 | | 30 | 25 |
| Rise and Fall Time | | | | | | |
| 1.0 ~ 9.99 MHz | ns max | 15 | 20 | 5 | 5 | 5 |
| 10.0 ~ 19.99 MHz | | 15 | 15 | 5 | 5 | 5 |
| 20.0 ~ 31.99 MHz | | 15 | 10 | 5 | 5 | 5 |
| 32.0 ~ 49.99 MHz | | 15 | 10 | 5 | 5 | 5 |
| 50.0 ~ 79.99 MHz | | 10 | 8 | 5 | 5 | 4 |
| 80.0 ~ 99.99 MHz | | 10 | 5 | 5 | 5 | 3 |
| 100.0 ~ 125.0 MHz | | 10 | 4 | 5 | 5 | 3 |
| Output Load | | 15 pF | | | | |

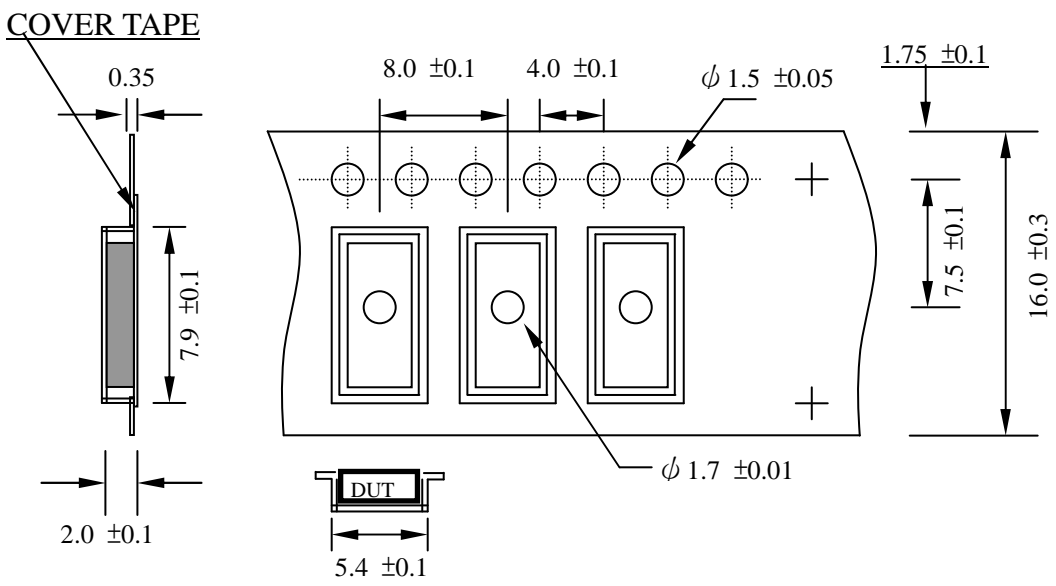
Dimensions (mm):



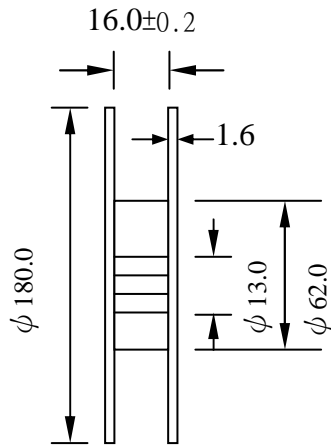
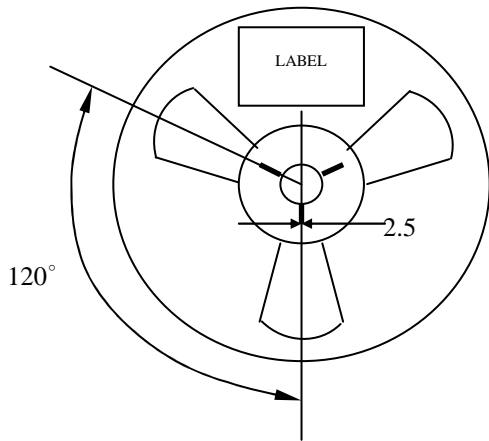
#1: ENABLE / DISABLE FUNTION

| | | | | |
|-------------|---|----------------|---------------|------------|
| INH (PIN 1) | → | OUTPUT (PIN 3) | # NO.: define | |
| High (OPEN) | → | Operating | #4: VDD | #3: OUTPUT |
| LOW | → | High impedance | #1: E/D | #2: GND |

Tape specification (mm):



Reel packing (mm):



TOLERANCE : ±0.2(mm)

Reflow Temperature Profile:

