

Features

- Very low Jitter
- Ceramic package and metal lid assures extreme accuracy and high reliability.
- Lead-free soldering is available.
- Applications : Networking systems, Test and measurement, Servers and storage systems, Profession video equipments, FPGA/ASIC clock generation

Specifications

Item	Symbol	Specifications			
		Min.	Typ.	Max.	Note
Frequency	F0	50MHz		212.5 MHz	As specified
Frequency Stability	FT			±50 ppm	See ※1 below
Storage temperature range		-55°C		+125°C	
Operating temperature range	TR	-20°C		+70°C	Commercial(standard)
		-40°C		+85°C	Industrial(standard)
Supply voltage	Vcc	3.135V	3.30V	3.465V	or 2.5V±5%
Current consumption	Icc/OE			90mA	
Disable current	Icc/OD			70mA	
Logic type	LT	LVDS			
Differential Output Voltage	V _{OD}	0.247V	0.350V	0.454V	
Output Common Mode Voltage	V _{OS}	1.125V	1.250V	1.375V	
Output load		See Test Circuit			output requires termination
Symmetry	SYM	45%		55%	Mesured 50%V _{cc}
Rise time / Fall time	T _R /T _F			500ps	Mesured 20/80% of waveform
Phase jitter	RMS(1-σ)			1.0ps	Offset frequency: 12kHz to 20MHz

※1 Stability includes all combinations of operating temperature ,load changes , rated input (supply) voltage changes,initial calibration tolerance(25°C),aging(5 years at 40°C average effective ambient temperature),shock and vibration.

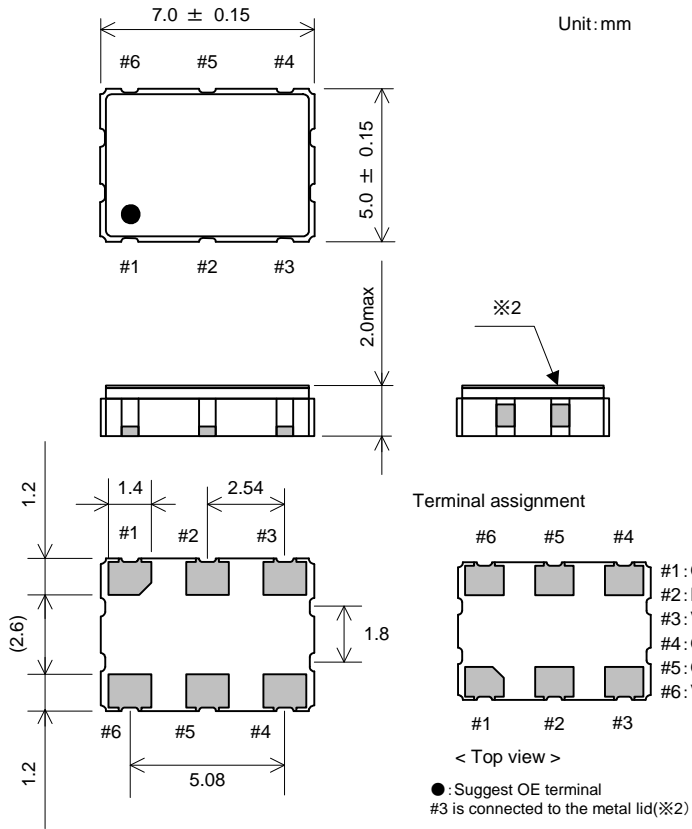
Output Enable /Disable Function

Item	Min.	Typ.	Max.	Note
Input Voltage(OE pin),Output Enable	0.7V _{cc}			or open
Input Voltage(OE pin),Output Disable			0.3V _{cc}	Outputs disabled to Hi-Z
Output Disabel Delay			80ns	
Output Enabel Delay			80ns	
Start up Time			10ms	

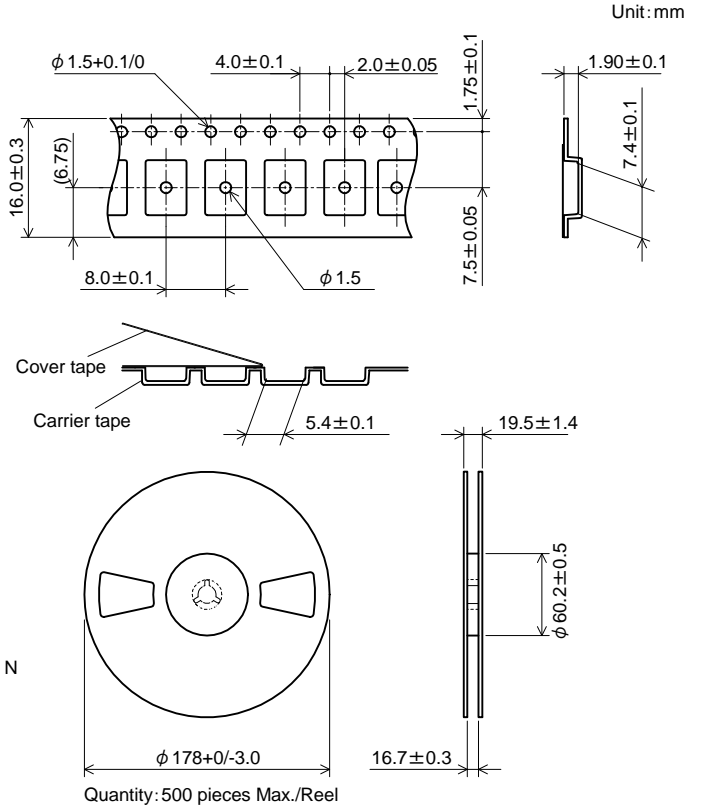
- Bypass capacitor should be connected between V_{DD} and GND due to the stabilized operation for the crystal oscillator.
- Please consult us for customized specifications.
- All specifications and markings subjected to change without notice.

FCX0-75LV

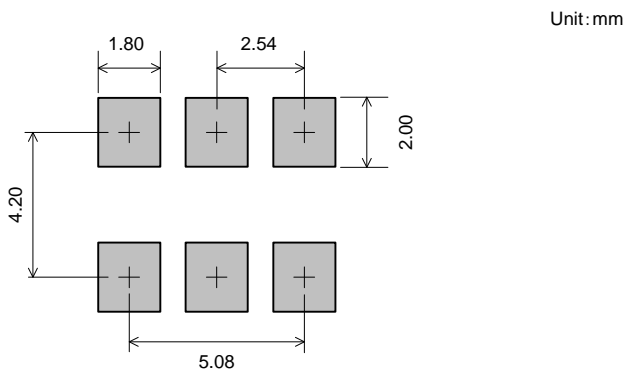
Dimensions



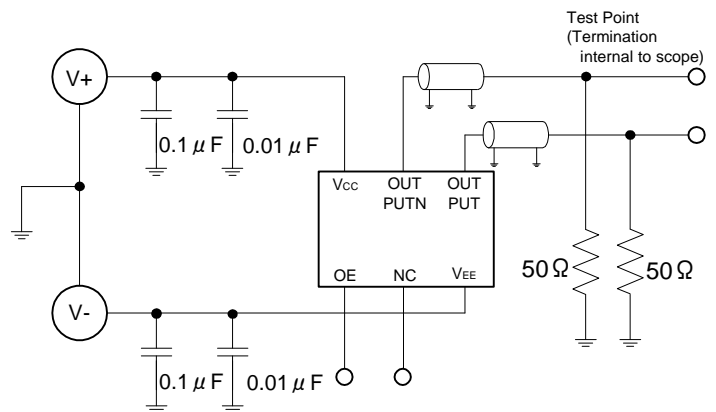
Taping



Land dimensions



Test Circuit



VCC	V+	V-
(VDC)	(VDC)	(VDC)
+3.3	+2.1	-1.2
+2.5	+1.3	-1.2