

Model Name NV13M08YN

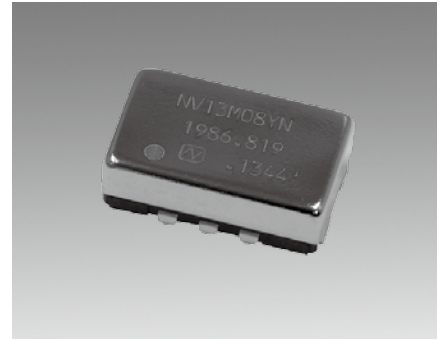
Voltage Controlled Crystal Oscillator (VCXO)

■ Main Application

Optical communication equipment (SONET, SDH, Ethernet)

■ Features

- Frequency temperature characteristics is excellent since the crystal resonator is used.
- Low phase noise and low jitter. (Max. 50 fs)



Pb Free

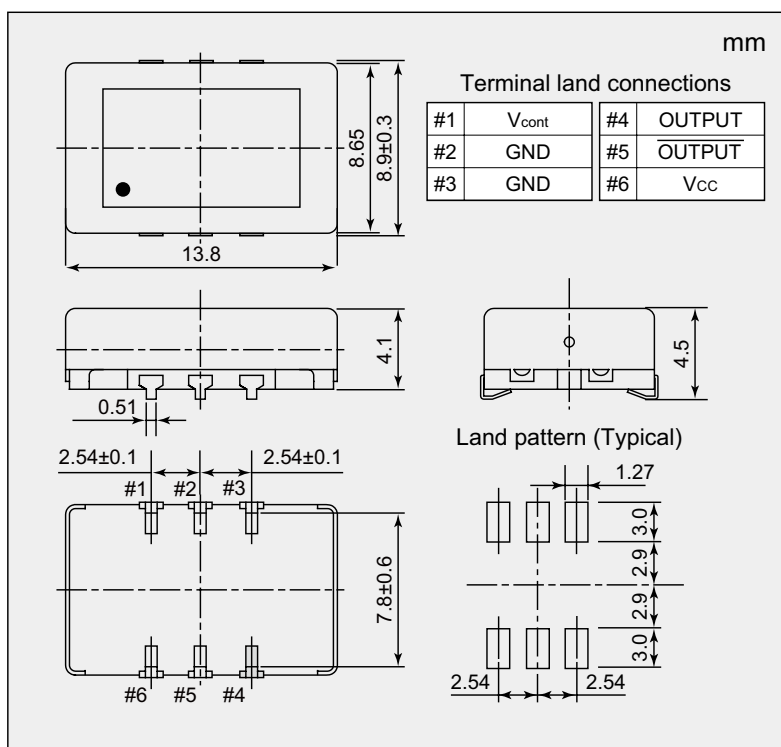
RoHS Compliant
Directive 2011/65/EU

■ Specifications

Item	Model	NV13M08YN
Nominal frequency (MHz)		1600 to 2200
Supply voltage [Vcc] (V)		3.3 ± 5%
Current consumption (mA)		Max. 150
Output voltage		LVPECL (Complementary)
Symmetry (%)		40 to 60
Load (Ω)		50(V _{CC} -2.0V)
Operating temperature range (°C)		-10 to +85
Storage temperature range (°C)		-40 to +85
Total frequency stability ^{*1}		Max. ± 70 × 10 ⁻⁶
Frequency control range		Min. ± 120 × 10 ⁻⁶ / +1.65V ± 1.65V
Frequency change polarity		Positive

*1 : Total frequency stability includes frequency/temperature characteristics, tolerance, frequency/voltage coefficient and long-term frequency stability.

■ Dimensions



■ List of Ordering Codes

Frequency (MHz)	Ordering Code
1680.407	NV13M08YN-1680.407M-NSA3512A
1741.054	NV13M08YN-1741.054M-NSA3512A
1747.031	NV13M08YN-1747.031M-NSA3512A
1911.051	NV13M08YN-1911.051M-NSA3512A
1980.022	NV13M08YN-1980.022M-NSA3512A
1986.819	NV13M08YN-1986.819M-NSA3512A

The above frequencies are NDK's standard frequencies. Frequencies other than the above are available. Feel free to contact our sales representatives.