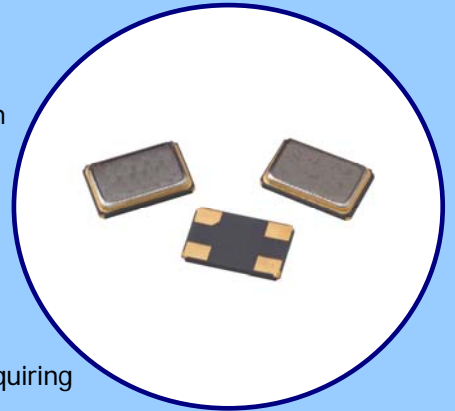




FEATURES

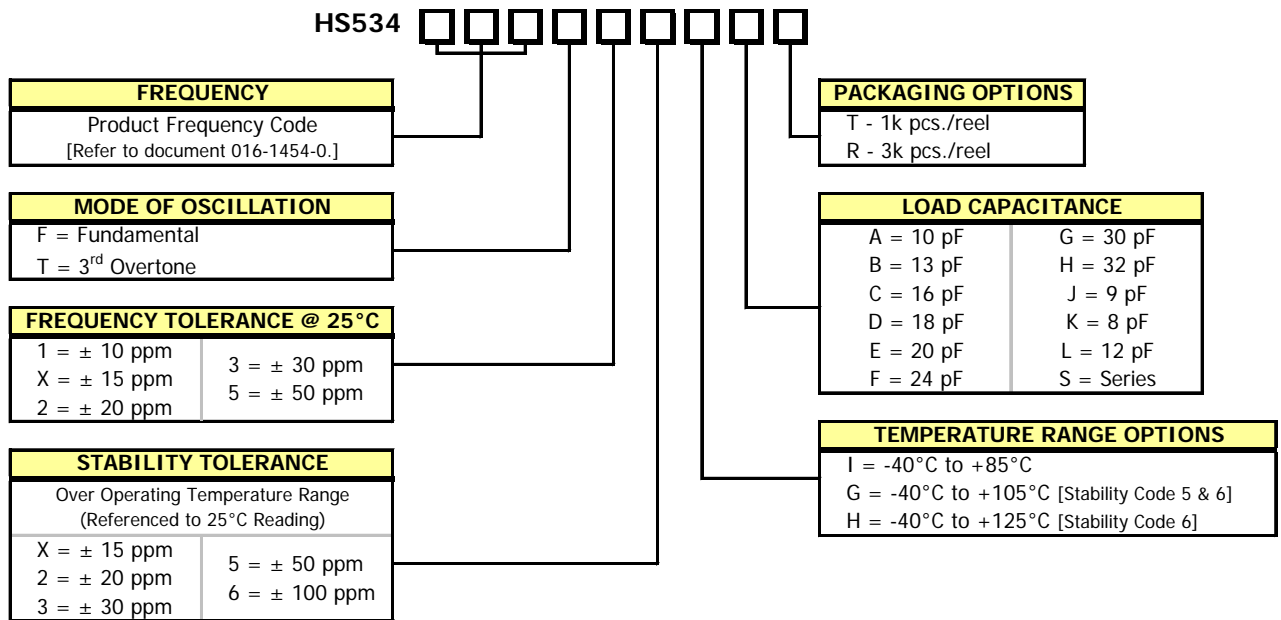
- Standard 5.0mm x 3.2mm Seam Weld Package
- Fundamental Design
- Frequency Range 8 – 40 MHz Fundamental, 24 – 120 MHz 3rd Overtone
- Frequency Tolerance; ± 10 ppm, ± 15 ppm, ± 20 ppm, ± 30 ppm and ± 50 ppm
- Frequency Stability, reference Ordering Information
- Operating Temperature, -40°C to +105°C standard
- Tape & Reel Packaging Standard, EIA-481



APPLICATIONS

Model HS534 is a low cost crystal developed for use in industrial applications requiring extended temperature ranges.

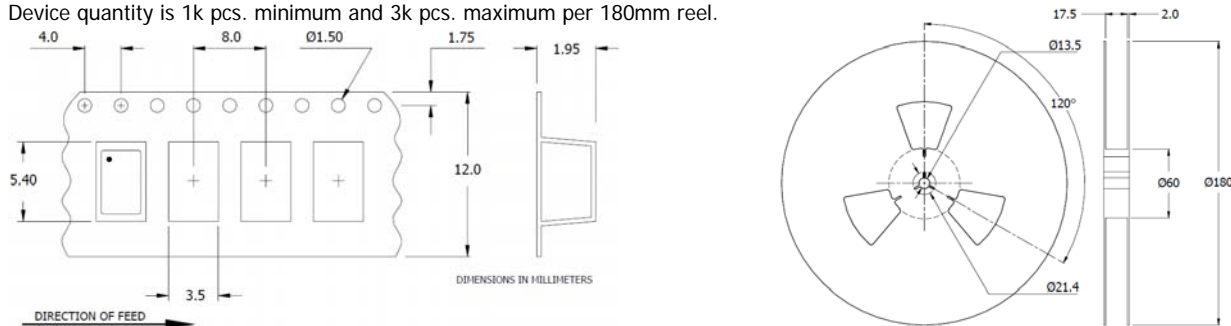
ORDERING INFORMATION



Not all performance combinations and frequencies may be available.
Contact your local CTS Representative or CTS Customer Service for availability.

PACKAGING INFORMATION [Reference]

Device quantity is 1k pcs. minimum and 3k pcs. maximum per 180mm reel.



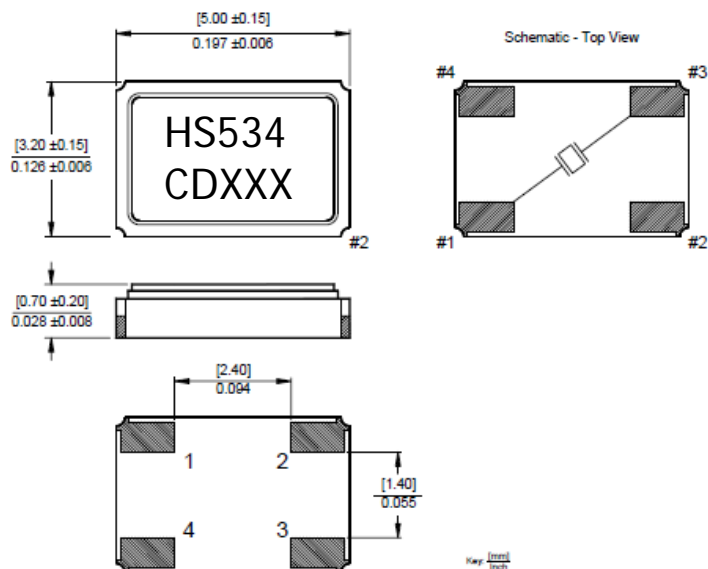
ELECTRICAL CHARACTERISTICS

PARAMETER	VALUE			
	Fundamental		3 rd Overtone	
Operating Mode	8.0 MHz to 40.0 MHz		24.0 MHz to 120.0 MHz	
Frequency Range	8.0 MHz to 40.0 MHz		24.0 MHz to 120.0 MHz	
Crystal Cut	AT-Cut			
Frequency Tolerance @ 25°C	±10ppm, ±15ppm, ±20 ppm, ±30 ppm, ±50 ppm			
Frequency Stability Tolerance ¹ [Operating Temperature Range, Referenced to 25°C Reading]	±15 ppm, ±20 ppm, ±30 ppm, ±50 ppm, ±100 ppm			
Operating Temperature Range ¹	-40°C to +85°C [All Stability Codes] -40°C to +105°C [Stability Code 3, 5, 6] -40°C to +125°C [Stability Code 5, 6]			
Equivalent Series Resistance	8.000 MHz - 9.999 MHz	150 Ohms maximum	24.000 MHz - 53.999 MHz	150 Ohms maximum
	10.000 MHz - 15.999 MHz	60 Ohms maximum	54.000 MHz - 120.000 MHz	100 Ohms maximum
	16.000 MHz - 40.000 MHz	50 Ohms maximum		
Load Capacitance or Resonance Mode [See Ordering Information for More Options]	10pF, 12pF, 16pF, Series standard			
Shunt Capacitance (C ₀)	3.0 pF typical, 5.0 pF maximum			
Drive Level	10 µW typical, 100 µW maximum			
Aging @ +25°C	±5 ppm/yr maximum			
Insulation Resistance [@ DC 100V]	500M Ohms minimum			
Storage Temperature Range	-40°C to +125°C			
Reflow Condition, per JEDEC J-STD-020	+260°C maximum, 10 Seconds maximum			

¹ See Ordering Information.

MECHANICAL SPECIFICATIONS

PACKAGE DRAWING



MARKING INFORMATION

1. HS534 - CTS Model Series.
2. C - CTS.
3. D - Date code. See Table I for codes.
4. XXX - Frequency code.
[Reference CTS document 016-1450-0, Frequency Code Tables.]

NOTES

1. Complete CTS part number, frequency value, date code and manufacturing site code information must appear on reel and carton labels.
2. Termination pads (e4); barrier plating is nickel [Ni] with gold [Au] flash plate.
3. Reflow conditions per JEDEC J-STD-020; 260°C maximum, 10 seconds.

SUGGESTED SOLDER PAD GEOMETRY

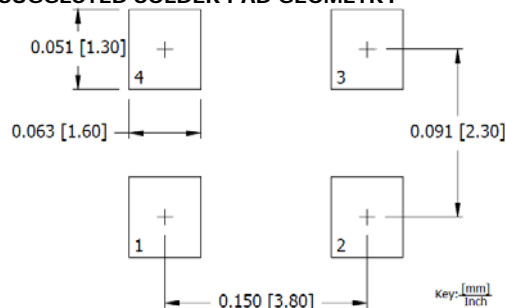


TABLE I - DATE CODE

YEAR		MONTH				JAN	FEB	MAR	APR	MAY	JUN	JUL	AUG	SEP	OCT	NOV	DEC
2001	2005	2009	2013	2017	A	B	C	D	E	F	G	H	J	K	L	M	
2002	2006	2010	2014	2018	N	P	Q	R	S	T	U	V	W	X	Y	Z	
2003	2007	2011	2015	2019	a	b	c	d	e	f	g	h	j	k	l	m	
2004	2008	2012	2016	2020	n	p	q	r	s	t	u	v	w	x	y	z	