

### FEATURES

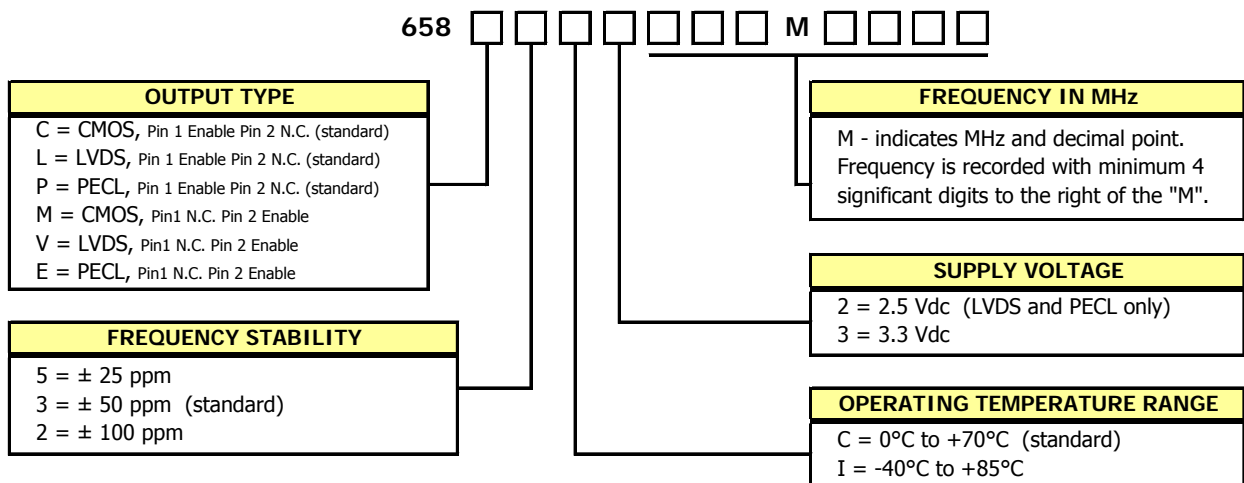
- Standard 7x5mm Surface Mount Footprint
- LVCMOS, Differential LVPECL or LVDS Outputs
- Frequency Range 38 – 750 MHz
- Frequency Stability,  $\pm 50$  ppm Standard ( $\pm 25$  ppm and  $\pm 100$  ppm available)
- +2.5Vdc or +3.3Vdc Operation
- Operating Temperature to  $-40^{\circ}\text{C}$  to  $+85^{\circ}\text{C}$
- Output Enable Standard
- Low Phase Jitter, *PLL Multiplier*
- Tape & Reel Packaging
- **RoHS/Green Compliant**

### DESCRIPTION

The Model 658 is a ceramic packaged Clock oscillator offering reduced size and enhanced stability. The small size means it is perfect for any application. The enhanced stability means it is the perfect choice for today's communications applications that require tight frequency control.



### ORDERING INFORMATION



Example Part Number: 658P3C3155M5200

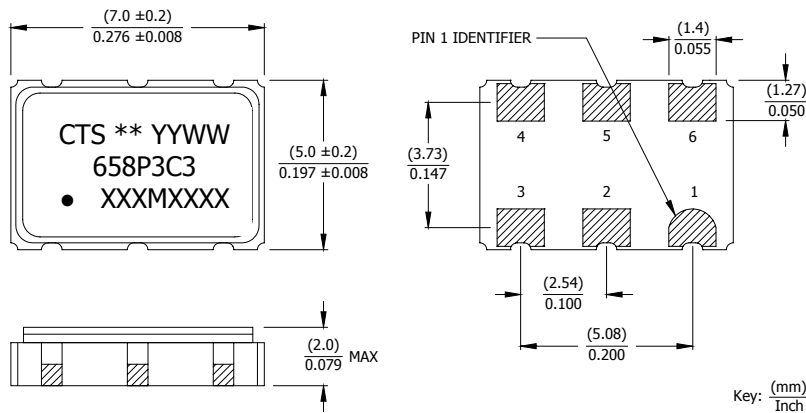
## ELECTRICAL CHARACTERISTICS

	PARAMETER	SYMBOL	CONDITIONS	MIN	TYP	MAX	UNIT	
Absolute Maximums	Maximum Supply Voltage	$V_{CC}$	-	-0.5	-	7.0	V	
	Storage Temperature	$T_{STG}$	-	-55	-	125	°C	
	Frequency Range	$f_0$	-	50	-	250	MHz	
	LVC MOS			38	-	750		
	Frequency Stability (See Note 1 and Ordering Information)	$\Delta f/f_0$	-	-	-	25, 50 or 100	± ppm	
	Operating Temperature	$T_A$	-	0	25	70	°C	
Commercial	-40			85				
Electrical and Waveform Parameters	Supply Voltage (See Ordering Information)	$V_{CC}$	± 5 %	2.38 3.14	2.5 3.3	2.63 3.47	V	
	Supply Current	$I_{CC}$	Maximum Load	-	-	-	mA	
	LVC MOS		< 160 MHz	-	-	40		
			≥ 160 MHz	-	-	50		
	LVPECL		< 160 MHz	-	-	75		
			≥ 160 MHz	-	-	100		
	LVDS	< 160 MHz	-	-	60			
		≥ 160 MHz	-	-	80			
	Start Up Time	$T_S$	Application of $V_{CC}$	-	-	10	ms	
	Phase Jitter	$t_{jms}$	Bandwidth 12 kHz - 20 MHz	-	3.5	5	ps RMS	
	Enable Function							
	Enable Input Voltage	$V_{IH}$	Pin 1 or Pin 2 Logic '1', Output Enabled	$0.7 \cdot V_{CC}$	-	-	V	
	Disable Input Voltage	$V_{IL}$	Pin 1 or Pin 2 Logic '0', Output Disabled	-	-	$0.3 \cdot V_{CC}$		
	Disable Current	$I_{IL}$	Pin 1 or Pin 2 Logic '1', Output Disabled	-	-	20	µA	
	Enable Time	$T_{PLZ}$	Pin 1 or Pin 2 Logic '1'	-	5	10	ms	
	<b>LVC MOS WAVEFORM</b>							
	Output Load	$C_L$		-	-	15	pF	
	Output Duty Cycle	SYM	@ 50% Level	45	-	55	%	
	Output Voltage Levels							
	Logic '1' Level	$V_{OH}$	CMOS Load	$90\% V_{CC}$	-	-	V	
	Logic '0' Level	$V_{OL}$	CMOS Load	-	-	$10\% V_{CC}$		
	Rise and Fall Time	$T_{R}, T_F$	@ 20% - 80% Levels	-	2	5.0	ns	
	<b>LVPECL WAVEFORM</b>							
	Output Load	$R_L$	-	-	50	-	Ohms	
	Output Duty Cycle	SYM	@ $V_{CC} - 1.3V$	45	-	55	%	
	Output Voltage Levels							
	Logic '1' Level	$V_{OH}$	PECL Load	$V_{CC} - 1.025V$	-	-	V	
Logic '0' Level	$V_{OL}$	PECL Load	-	-	$V_{CC} - 1.62V$			
Rise and Fall Time	$T_{R}, T_F$	@ 20% - 80% Levels	-	0.4	1.0	ns		
<b>LVDS WAVEFORM</b>								
Output Load	$R_L$	-	-	100	-	Ohms		
Output Duty Cycle	SYM	@ 1.25V	45	-	55	%		
Differential Voltage	$V_{OD}$	$R_L = 100$ Ohms	250	350	450	mV		
Output Voltage Levels								
Logic '1' Level	$V_{OH}$	LVDS Load	-	-	1.6	V		
Logic '0' Level	$V_{OL}$	LVDS Load	0.9	-	-			
Rise and Fall Time	$T_{R}, T_F$	@ 20% - 80% Levels	-	0.4	1.0	ns		

Notes:  
 1. Inclusive of initial tolerance at time of shipment, changes in supply voltage, load, temperature and 10 year aging at an average operating temperature of +40 °C.

## MECHANICAL SPECIFICATIONS

### PACKAGE DRAWING



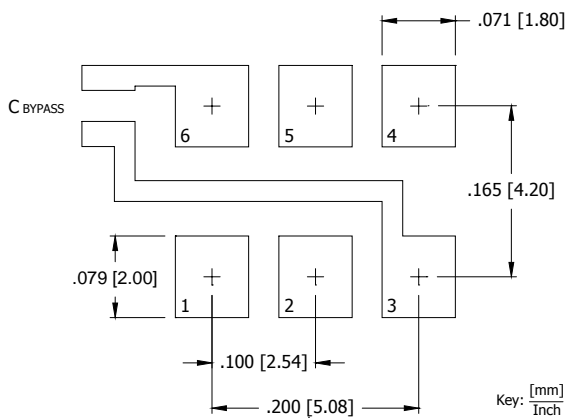
### MARKING INFORMATION

1. \*\* - Manufacturing Site Code.
2. YYWW – Date code, YY – year, WW – week.
3. Truncated CTS part number.
4. XXXMXXXX - Frequency marked with 4 significant digits after the 'M'.

### NOTES

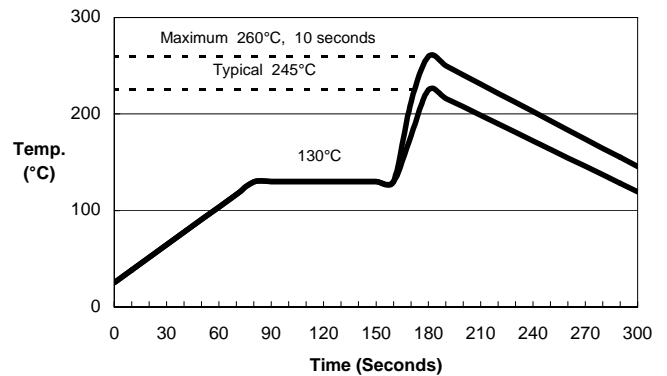
1. Termination pads (e4), barrier-plating is nickel (Ni) with gold (Au) flash plate.
2. Reflow conditions per JEDEC J-STD-020.

### SUGGESTED SOLDER PAD GEOMETRY

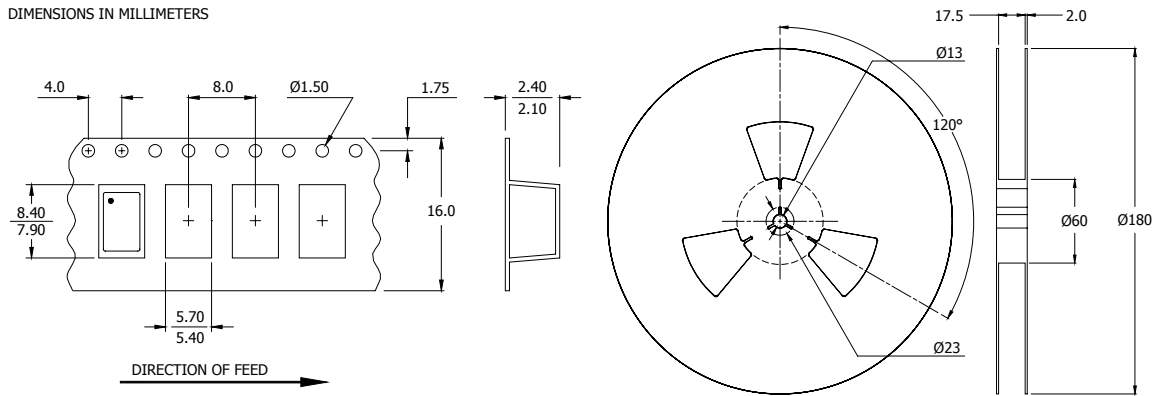


C<sub>BYPASS</sub> should be ≥ 0.01 uF.

### SUGGESTED REFLOW PROFILE



## TAPE AND REEL INFORMATION



Device quantity is 1,000 pieces per 180mm reel.

## ENVIRONMENTAL SPECIFICATIONS

Temperature Cycle:	400 cycles from $-55^{\circ}\text{C}$ to $+125^{\circ}\text{C}$ , 10 minute dwell at each temperature, 1 minute transfer time between temperatures.
Mechanical Shock:	1,500g's, 0.5mS duration, $\frac{1}{2}$ sinewave, 3 shocks each direction along 3 mutually perpendicular planes (18 total shocks).
Sinusoidal Vibration:	0.06 inches double amplitude, 10 to 55 Hz and 20g's, 55 to 2,000 Hz, 3 cycles each in 3 mutually perpendicular planes (9 times total).
Gross Leak:	No leak shall appear while immersed in an FC40 or equivalent liquid at $+125^{\circ}\text{C}$ for 20 seconds.
Fine Leak:	Mass spectrometer leak rates less than $2 \times 10^{-8}$ ATM cc/sec air equivalent.
Resistance to Solder Heat:	Product must survive 3 reflows of $+260^{\circ}\text{C}$ peak, 10 seconds maximum.
High Temperature Operating Bias:	2,000 hours at $+125^{\circ}\text{C}$ , maximum bias, disregarding frequency shift.
Frequency Aging:	1,000 hours at $+85^{\circ}\text{C}$ , full bias, less than $\pm 5$ ppm shift.
Moisture Sensitivity Level:	Level 1 per JEDEC J-STD-020.

## QUALITY AND RELIABILITY

Quality systems meet or exceed the requirements of ISO 9000:2000 standards.