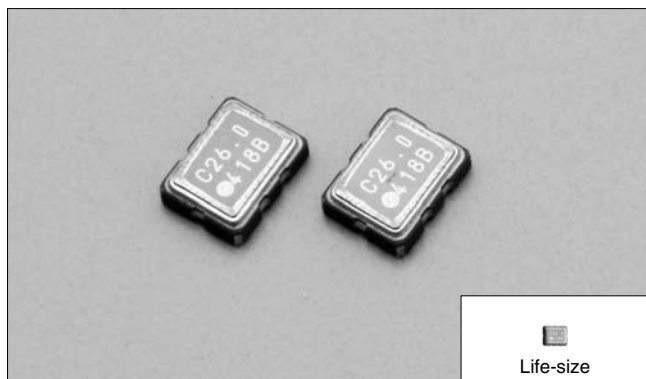


# CSX-325T

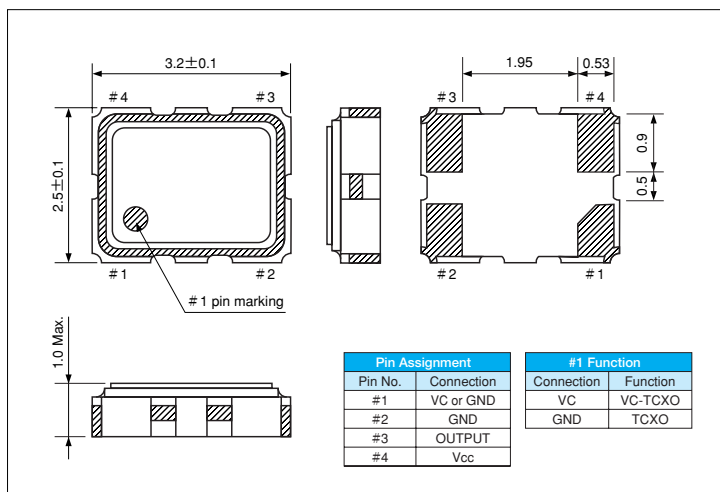
2000pcs/reel



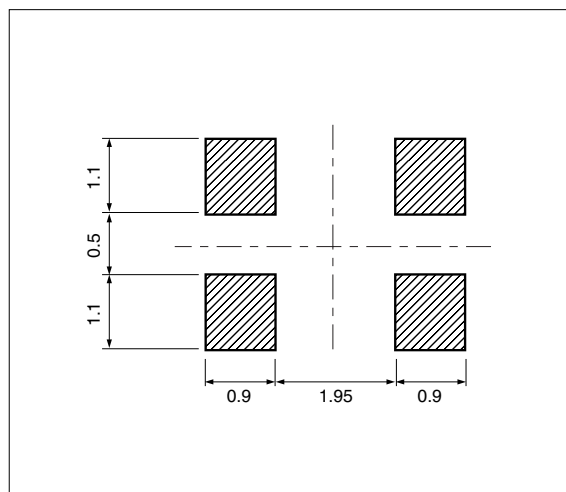
## FEATURES

- High-density SMD type.  
Ultra-light weight and ultra-miniature size.
- With the function of frequency and voltage control.
- Available in 1.8V ultralow voltage drive.
- Low current consumption.
- Automatic mounting and reflowable type.
- Most appropriate for cellular phone, GPS and other equipment with telecommunication devices.

## DIMENSION [mm]



## SOLDER PAD LAYOUT [mm]



## STANDARD SPECIFICATIONS

| Item                        | Model             | CSX-325T  |         |   |         |
|-----------------------------|-------------------|---|---------|---|---------|
| Nominal Frequency           | f <sub>0</sub>    | 13.0MHz , 16.0MHz   | 19.2MHz | 23.104MHz , 26.0MHz , 32.0MHz , 33.6MHz , 38.4MHz | 52.0MHz |
| Frequency Stability         | Δf/f <sub>0</sub> | ±2.5ppm / (−30°C ~ +75°C)                                 |         |   |         |
| Operating Temperature Range | T <sub>OPR</sub>  | −30°C ~ +75°C   |         |   |         |
| Storage Temperature Range   | T <sub>STR</sub>  | −40°C ~ +85°C   |         |   |         |
| Supply Voltage              | V <sub>dd</sub>   | 1.8V ~ 3.0V   |         |   |         |
| Frequency adjustment range  | Δf <sub>VC</sub>  | ±8ppm Min. / (V <sub>cont</sub> =V <sub>dd</sub> /2±1.0V) |         |   |         |
| Current consumption         | I <sub>dd</sub>   | 1.5mA Max   |         | 2.0mA Max   |         |
| Output Voltage              | V <sub>OUT</sub>  | 0.8Vp-p Min. (10kΩ / 10pF)                                |         |   |         |
| Start-up time               | T <sub>ST</sub>   | 5.0 msec Max.   |         | 3.5 msec Max.                                     |         |
| Aging (first year)          | F <sub>A</sub>    | ±1.0ppm / year Max.                                       |         |   |         |