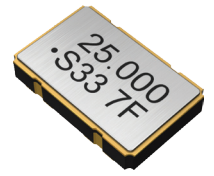


CRYSTAL OSCILLATOR

OSC71



Applications

- PC Main board / VGA card / DVD / DVC / DSC / Printer / Scanner / Game Console

Features

- Ceramic package / Dimensions (5.0x 3.2x 0.9)
- Operating temperature -40~85°C
- Enable / Disable feature

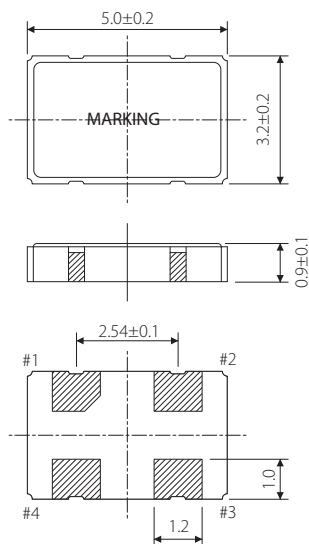
Specifications



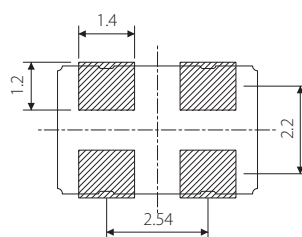
Model	OSC71		
Frequency range	0.500~ 156.250MHz		
Storage temperature range	-55~ +125°C		
Operating temperature range	-40~+85°C , -40~ +105°C		
Frequency stability	$\pm 30 \times 10^{-6}$ (-40~+85°C) , $\pm 50 \times 10^{-6}$, $\pm 100 \times 10^{-6}$		
Power supply voltage (Vdd)	+1.8V DC \pm 5%	+2.5V DC \pm 5%	+3.3V DC \pm 5%
Current consumption	2.5 mA max: ~ 20MHz 3.0 mA max: ~ 40MHz 7.0 mA max: ~ 60MHz 20 mA max: ~ 100MHz 25 mA max: ~ 125MHz 30 mA max: ~ 156MHz	5 mA max: ~ 20MHz 9 mA max: ~ 40MHz 11 mA max: ~ 60MHz 30 mA max: ~ 100MHz 35 mA max: ~ 125MHz 40 mA max: ~ 156MHz	7 mA max: ~ 20MHz 13 mA max: ~ 40MHz 19 mA max: ~ 60MHz 35 mA max: ~ 100MHz 40 mA max: ~ 125MHz 45 mA max: ~ 156MHz
Output level	C-MOS		
Load	15pF max.		
Output voltage level	V _{OL} : 10%V _{dd} max. / V _{OH} : 90%V _{dd} min.		
Rise & Fall time	10ns max(F \leq 40MHz), 7ns max(40MHz<F \leq 125MHz), 2ns max(F> 125MHz)		
Duty cycle	40%~60% at 1/2V _{dd}	45%~55% at 1/2V _{dd}	
Tri-state Function	#1: Floating or "H"→Output enable / #1: "L"→Output disable (Hi-Z)		

Package quantity: 3,000pcs max./Reel.

Outline and Dimensions [unit:mm]



Example of a Terminal Land Pattern



Terminal	Connection
#1	Tri-state
#2	GND
#3	OUTPUT
#4	Vdd

Tri-state Function

Tri-state Pin	Output
High or Floating	Active
Low	Hi-impedance