

CRYSTAL UNIT

CTSX-5032

Applications

- Automotive / TPMS

Features

- Ultra thin / Dimensions (5.0x 3.2x 0.9)
- Ceramic SMD Package
- Vacuum Seam Sealed
- Tight Tolerance and Stability
- Reflow Soldering / Emboss Taping
- Compliant products with AEC-Q200

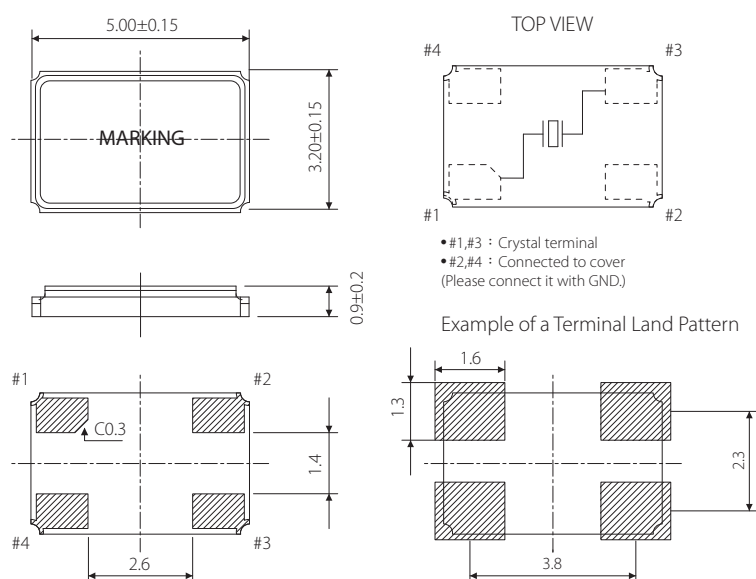
Specifications



Model	CTSX-5032
Nominal frequency range	13.000~20.000 MHz
Crystal cut	Fundamental [AT-cut]
Storage temperature range	-40~+125°C
Operating temperature range	-40~+125°C
Frequency temperature characteristics (Ref. to +25°C)	$\pm 10 \times 10^{-6}$, $\pm 30 \times 10^{-6}$
Frequency tolerance (at +25°C)	$\pm 50 \times 10^{-6}$, $\pm 100 \times 10^{-6}$
Equivalent series resistance	100Ω: 13.000 ~ 20.000 MHz
Load capacitance	series, 10pF, 12pF, 16pF
Shunt capacitance	5pF max.
Level of drive	10 μW (100 μW max.)

Package quantity: 1,000pcs max./Reel.
The product is suitable for Car multimedia, Car accessory application.

Outline and Dimensions [unit:mm]



Maximum marking length		Marking
line1	line2	
7	7	Laser
ex.)		16. 0GA SXXXXT