



CRYSTAL UNIT

SX-2016

Applications

- OA / AV Equipment / Bluetooth / Wireless LAN

Features

- Ultra thin / Dimensions (2.0×1.6×0.55)
- Ceramic Package
- High Reliability and High Stability

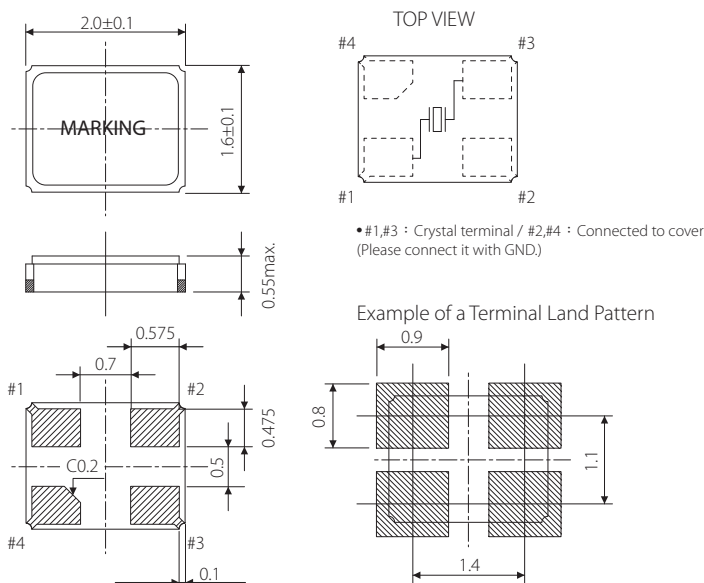
Specifications



Model	SX-2016	
Nominal frequency range	16.000~56.000 MHz	
Crystal cut	Fundamental [AT-cut]	
Storage temperature range	-40~+90°C	
Operating temperature range	-10~+60°C	-30~+85°C
Frequency temperature characteristics (Ref. to +25°C)	$\pm 10 \times 10^{-6}$	$\pm 15 \times 10^{-6}$
Frequency tolerance (at +25°C)	$\pm 10 \times 10^{-6}$	
Equivalent series resistance	150Ω: 16.000~19.999 MHz 100Ω: 20.000~29.999 MHz 80Ω: 30.000~35.999 MHz 60Ω: 36.000~56.000 MHz	
Load capacitance	8pF, 12pF	
Shunt capacitance	5pF max.	
Level of drive	10 μW (100 μW max.)	

Package quantity: 3,000pcs max./Reel.

Outline and Dimensions [unit:mm]



Maximum marking length		Marking
line1	line2	
4	4	Laser
ex.)		26 . 0 S G A